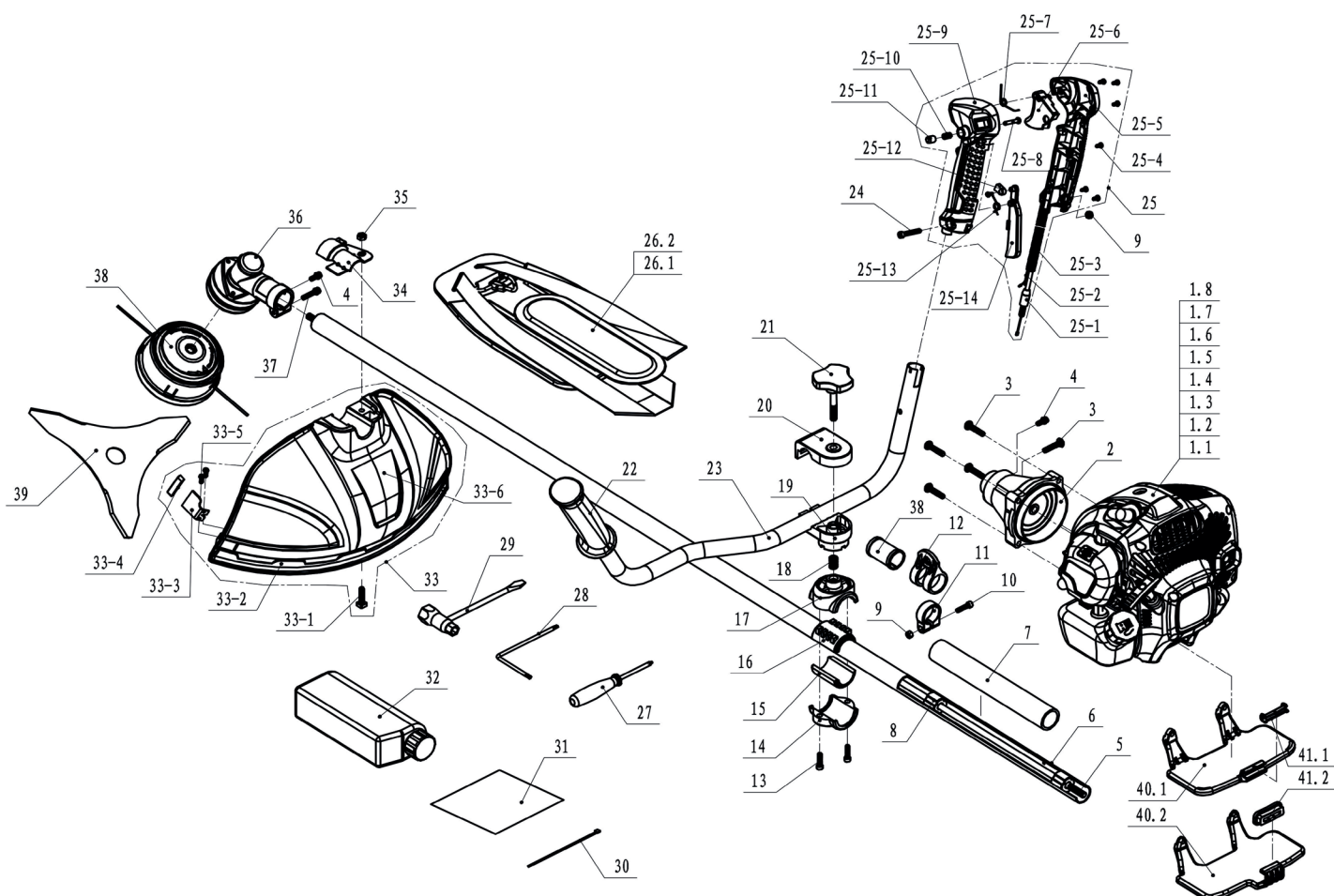


№	Артикул	Наименование	Кол-во
1	5.01.09.05222EVO	Screw M5X22	8
2	3.002.0003.32EVO	Easy Start Assy	1
3	4.013.0021.36EVO	Oil Tank Damping Rubber	2
4	4.504.0011.01EVO	Rope Guide $\phi 10 \times \phi 5$	1
5	3.001.0241.07EVO	Start Handle	1
6	4.018.0021.39EVO	Rope Buffer Rubber	1
7	4.019.0091.01EVO	Rope Gasket	1
8	3.001.0093.15EVO	Back Cylinder Cover	1
9	4.012.0012.02EVO	Recoil Spring comp.	1
10	4.012.0031.02EVO	Rope $\phi 3 \times 900$	1
11	4.012.0151.18EVO	Easy Start Rope	1
12	4.012.0021.09EVO	Energy Storage Spring	1
13	4.012.0101.09EVO	Easy Start Ratchet Wheel	1
14	5.05.01.51615EVO	Washer $\phi 5 \times \phi 16 \times 1.5$	1
15	5.01.08.05183EVO	Screw M5X18	2
16	3.001.0123.06EVO	Start Cover	1
17	5.01.02.42093EVO	Screw ST4.2X9.5	3
18	4.012.0162.02EVO	Start Reel Ass'y	1
19	5.09.01.12221EVO	Seal $\phi 12 \times \phi 22 \times 7$	1
20	4.001.0041.12EVO	Crank Case	1
21	4.019.0011.07EVO	Gasket	1
22	5.08.01.15351EVO	Bearing 6202	2
23,1	4.003.0012.14EVO	Crank Shaft Assy	1
23,2	4.003.0012.15EVO	Crank Shaft Ass'y	1
24	5.08.08.10161EVO	Bearing K10X13X15.5	1
25	5.06.01.03131EVO	Key 3.0X5.0X13	1
26	5.04.08.05101EVO	Pin $\phi 5 \times 10$	2
27	4.001.0021.10EVO	Crank Case	1
28	5.01.09.05321EVO	Screw M5X32	4
29	5.09.05.0004EVO	Seal $\phi 15 \times \phi 30 \times 7$	1
30	4.009.0023.11EVO	Ignition Coil Comp.	1
31	4.009.0031.12EVO	Cord Comp.	1
32	4.009.0012.03EVO	Fly Wheel	1
33	5.05.01.08161EVO	Washer $\phi 8.4 \times \phi 16 \times 1.6$	1
34	5.05.02.08002EVO	Washer $\phi 8$	1
35	5.02.01.08001EVO	Nut M8	2
36	4.010.0111.04EVO	Washer $\phi 8 \times \phi 18$	2
37	3.002.0010.06EVO	Clutch Assy	1
37,1	4.010.0111.01EVO	Clutch Shoe	2
37,2	4.010.0111.05EVO	Spring	1
38	4.010.0111.03EVO	Washer $\phi 11 \times \phi 15$	2
39	4.010.0111.02EVO	Screw Pin M8	2
40	5.04.08.04101EVO	Pin $\phi 4 \times 10$	2
41	4.001.0013.04EVO	Fan Cover	1
42	5.01.09.05251EVO	Screw M5X25	6
43	4.004.0041.11EVO	Circlip $\phi 10$	2
44	4.004.0031.12EVO	Piston Pin $\phi 6 \times \phi 10 \times 35.9$	1
45	4.004.0013.13EVO	Piston	1
46	4.004.0021.13EVO	Piston Ring $\phi 40 \times 1.5$	2
47	4.019.0021.09EVO	Gasket	1
48	4.002.0011.16EVO	Cylinder	1
49	4.018.0041.12EVO	Aluminum Foil Insulation 2	1
50	4.018.0041.11EVO	Aluminum Foil Insulation 1	1
51	3.001.0091.17EVO	Front Cylinder Cover	1
53	5.01.09.05122EVO	Screw M5X12	1
54	4.009.0101.05EVO	Guide	1
55,1	4.009.0041.05EVO	Spark Plug (L7T)	1
55,2	4.009.0041.09EVO	Spark Plug (L8RTF)	1
56	4.019.0031.12EVO	Gasket	1
57	4.006.0012.15EVO	Muffler	1
58,1			
58,2	4.006.0012.28EVO	Muffler Cover (Emission)	1
59	5.01.08.06551EVO	Screw M6X55	2
60	4.019.0041.05EVO	Gasket	1
61	4.005.0023.10EVO	Inlet Pipe	1
62	4.019.0061.06EVO	Gasket	1
63,1	4.017.0012.13EVO	Carburetor	1
63,2	4.017.0012.14EVO	Carburetor	1
64,1	3.001.0343.21EVO	Choke Handle	1
64,2	3.001.0343.14EVO	Choke Handle	1
65,1	4.005.0203.07EVO	Cleaner Inside Cover	1
65,2	4.005.0203.04EVO	Cleaner Inside Cover	1
66	5.01.09.05502EVO	Screw M5X50	4
67,1	4.007.0041.59EVO	Oil Outlet Pipe	1
68	4.007.0161.01EVO	Fuel Primer Comp.	1
69	3.001.0343.13EVO	Choke	1
70	5.01.03.35082EVO	Screw ST3.5X8	1
71,1	4.005.0012.16EVO	Filter Net	1
71,2	4.005.0053.04EVO	Filter Net	1
72,1	3.001.0101.48EVO	Cleaner Outside Cover	1
72,2	3.001.0101.31EVO	Cleaner Outside Cover	1
73	3.002.0014.02EVO	Fuel Tank Assy	1
74	4.007.0022.01EVO	Breather Assy	1
75	4.007.0041.34EVO	Vent Pipe	1
76	4.007.0041.32EVO	Fuel Return Pipe	1
77	4.013.0021.32EVO	Rubber Plug	1
78	4.007.0041.31EVO	Fuel Inlet Pipe	1
79	4.007.0081.02EVO	Clamp	1
80	4.007.0012.03EVO	Fuel Filter	1
81	4.007.0201.02EVO	Fuel Tank	1
82	4.007.0201.03EVO	Fuel Tank Lid	1
83	4.007.0101.04EVO	Gasket	1
84	4.007.0201.04EVO	Link	1
85	5.01.24.05161EVO	Screw M5X16	3
86,1	4.007.0041.69EVO	Spring	1
86,2	4.007.0041.58EVO	Spring	1
88	5.05.01.06122EVO	Washer $\phi 6.4 \times \phi 12 \times 1.6$	2
89,1			
89,2	4.018.0041.02EVO	Aluminum Foil Insulation	2
90,1	3.001.0731.06EVO	Tank Bracket	1
90,2	4.018.0133.06EVO	Fuel Tank Bracket	1
91,1	4.018.0021.45EVO	Rubber of Tank Bracket	1
91,2	EVO		
92,1	4.018.0051.04EVO	Sponge	1
92,2			
93	4.007.0201.01EVO	Fuel Tank Assy	1
94	3.002.0024.12EVO	Fuel Tank Lid Assy	1
*	3.002.0030.24EVO	Short block	1
**	3.002.0030.241EVO	Cylinder-piston group (24,43,44,45,46,48)	1



№	Артикул	Наименование	Кол-во
1,1	6.11.007.03EVO	Engine IE36F(Easy Start Eu II)	1
1,2	6.11.007.04EVO	Engine 1E36F(Easy Start)	1
1,3	6.11.007.07EVO	Engine IE36F(Eu H)	1
1,4	6.11.007.08EVO	Engine 1E36F	1
1,5	6.11.008.03EVO	Engine IE40F(Easy Start Eu II)	1
1,6	6.11.008.04EVO	Engine 1E40F(Easy Start)	1
1,7	6.11.008.07EVO	Engine IE40F(Eu II)	1
1,8	6.11.008.08EVO	Engine 1E40F	1
2	3.002.0004.07EVO	G4301 Clutch Comp.	1
3	5.01.06.06302EVO	Screw M6 x 30	5
4	5.01.07.05132EVO	Screw M5 x 13	2
5	4.008.0171.60EVO	G4302 Drive Shaft	1
6	4.008.0171.04EVO	G4301 Transfer Bar	1
7	4.008.0171.25EVO	G4301 Sponge Damper Cap	1
8	4.008.0171.06EVO	G4301 Retainer Assy	7
9	5.02.01.05002EVO	Nut M5	2
10	5.01.07.05222EVO	Screw M5 x 22	1
11	4.008.0191.12EVO	G5302 Clamp	1
12	4.008.0191.11EVO	G5302 Harness Clamp	1
13	5.01.06.06202EVO	Screw M6 x 20	2
14	4.008.0171.61EVO	Bottom Fixed Transmission Bar Cover	1
15	4.013.0021.49EVO	G4302 Damping Rubber(26 Bottom)	1
16	4.013.0021.48EVO	G4302 Damping Rubber(26 Top)	1
17	4.008.0171.62EVO	Top Fixed Transmission Bar Cover	1
18	4.008.0171.63EVO	Spring	1
19	4.008.0171.64EVO	G4302 U Handle Permanent Seat	1
20	4.008.0171.65EVO	G4302 U Handle Lock Bar	1
21	4.008.0171.66EVO	G4302 U Handle Screw Assy	1
22	3.001.0711.02EVO	G4302 Left Hand Shank	1
23	4.008.0171.28EVO	G4302 U Handle	1
24	5.01.06.05322EVO	Screw M5x 32	1
25	3.001.0702.03EVO	G4302 Control Handle Assy	1
25-1	4.008.0032.04EVO	G4302 Throttle Wire Comp. (U Handle)	1
25-2	4.009.0031.14EVO	G4302 Throttle Cord(U Handle)	1
25-3	4.009.0101.03EVO	G4302 Throttle Cord Guard(U Handle)	1
25-4	5.01.03.35082EVO	Screw ST3.5x8	7
25-5	3.001.0741.02EVO	G4302 Right Hand Shank Cover(U Handle)	1
25-6	3.001.0201.09EVO	G4302 Trigger(U Handle)	1
25-7	4.008.0021.08EVO	G4302 Trigger Spring	1
25-8	4.008.0181.01EVO	G4302 Throttle Lock Bar	1
25-9	3.001.0741.01EVO	G4302 Left Hand Shank Cover(U Handle)	1
25-10	4.008.0181.02EVO	Spring	1
25-11	3.001.0751.01EVO	G4302 Throttle Cap	1
25-12	3.001.0751.03EVO	G4302 Control Arablock(U Handle)	1
25-13	4.008.0071.01EVO	G4302 Control Armspring(U Handle)	1
25-14	3.001.0211.10EVO	G4302 Trigger Control Arm(U Handle)	1
26,1	4.000.0092.03EVO	G4301 Harness(Double Shoulder)	1
26,2	4.000.0092.02EVO	G3301 Harness(Single Shoulder)	1
27	4.000.0101.01EVO	Screw Driver	1
28	4.000.0021.02EVO	Wrench	1
29	4.000.0013.02EVO	2600 Wrench	1
30	7.006.001.001EVO	Ribbon 4x 200	3
31	7.002.031.001EVO	Tool Bags	1
32	4.000.0042.02EVO	IL Ratio Pot 2600	1
33	3.001.0682.02EVO	G4302 Safety Guard Assy	1
33-1	5.03.07.06252EVO	Set Bolt M6 x 25	1
33-2	3.001.0681.04EVO	G4302 Safety Guard Plate	1
33-3	4.021.0112.01EVO	G4302 Twine Knife	1
33-4	4.021.0112.02EVO	G4302 Twine Knife Cover	1
33-5	5.01.02.42093EVO	Screw ST4.2 x 9.5	2
33-6	3.001.0681.03EVO	G4302 Safety Guard	1
34	3.001.0731.04EVO	G4302 Pressing Plate	1
35	5.02.13.06001EVO	Nut M6	1
36	4.008.0171.24EVO	G4301 Driver Box Assy	1
37	5.01.07.05253EVO	Screw M5x25	1
38	4.021.0102.01EVO	G4302 Nylon Head	1
39	4.021.0082.02EVO	Teeth Grass Cutting Blade	1
40,1	3.001.0731.06EVO	G4302 Tank Bracket	1
40,2	3.001.0731.07EVO	G3302 Tank Bracket	1
41,1	4.018.0021.45EVO	G4302 Rubber Of Tank Bracket	1
41,2	4.018.0021.46EVO	G3302 Rubber Of Tank Bracket	1
42	4.008.0191.22EVO	G5302 Brush of Clamp	1