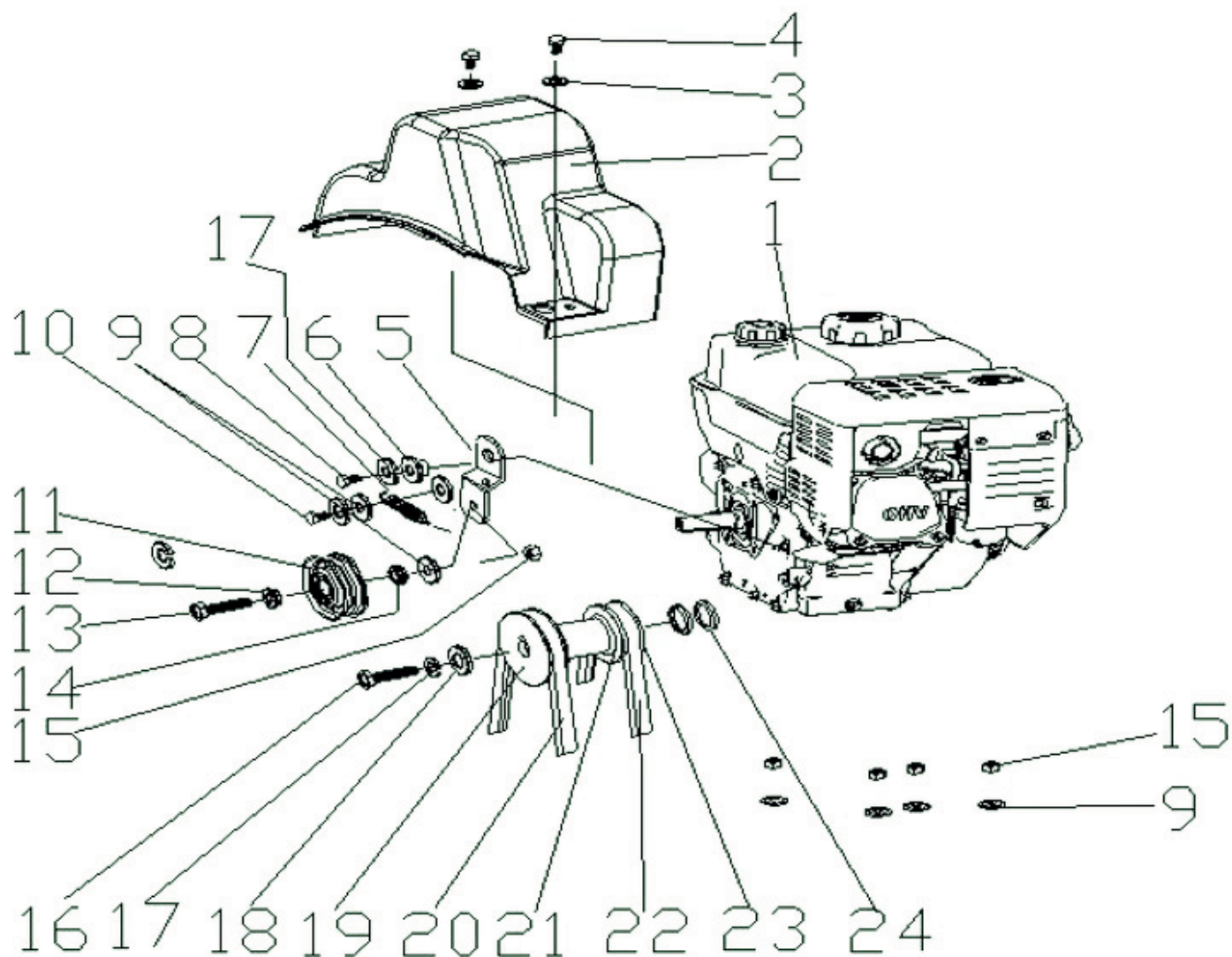
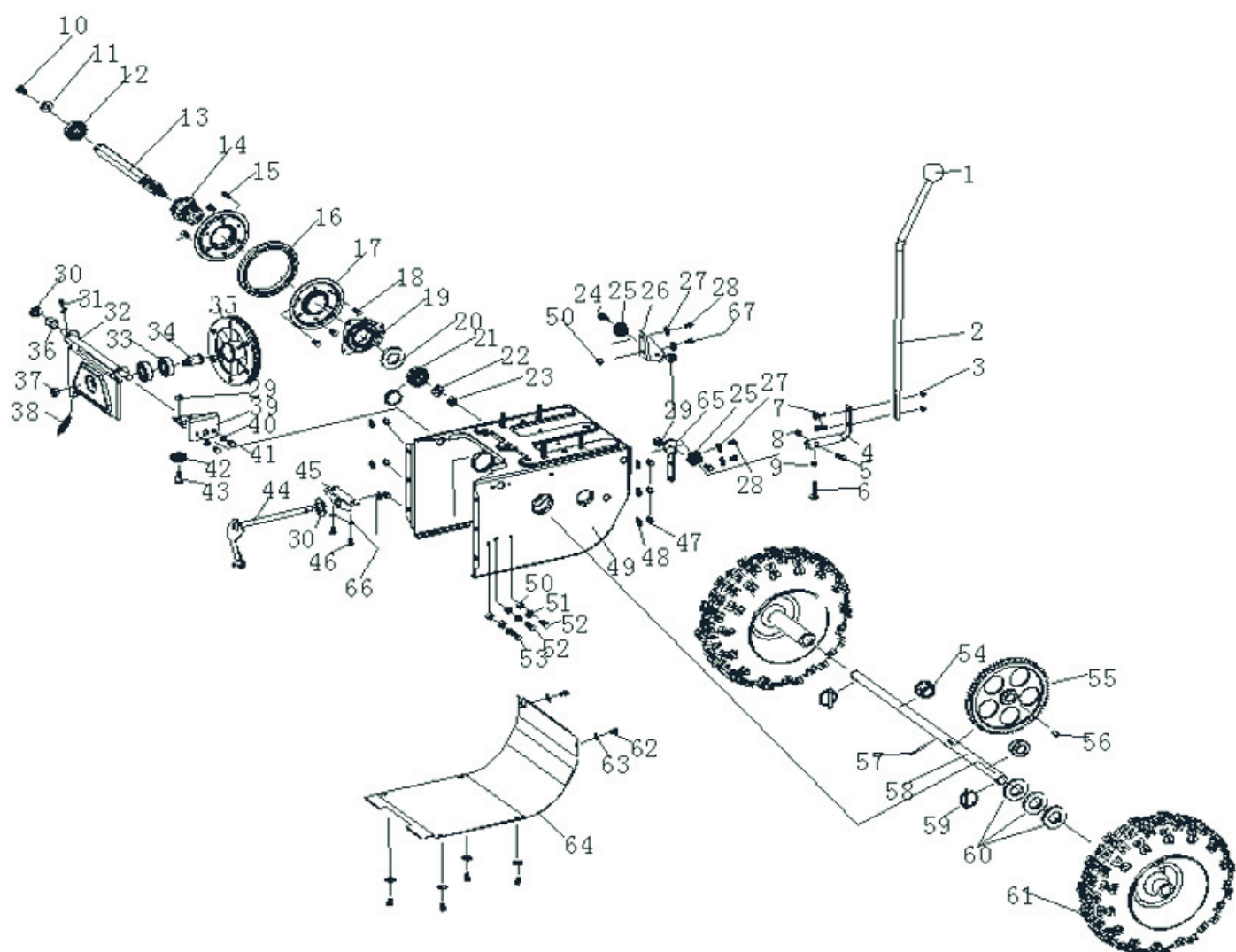


www.evo-line.store

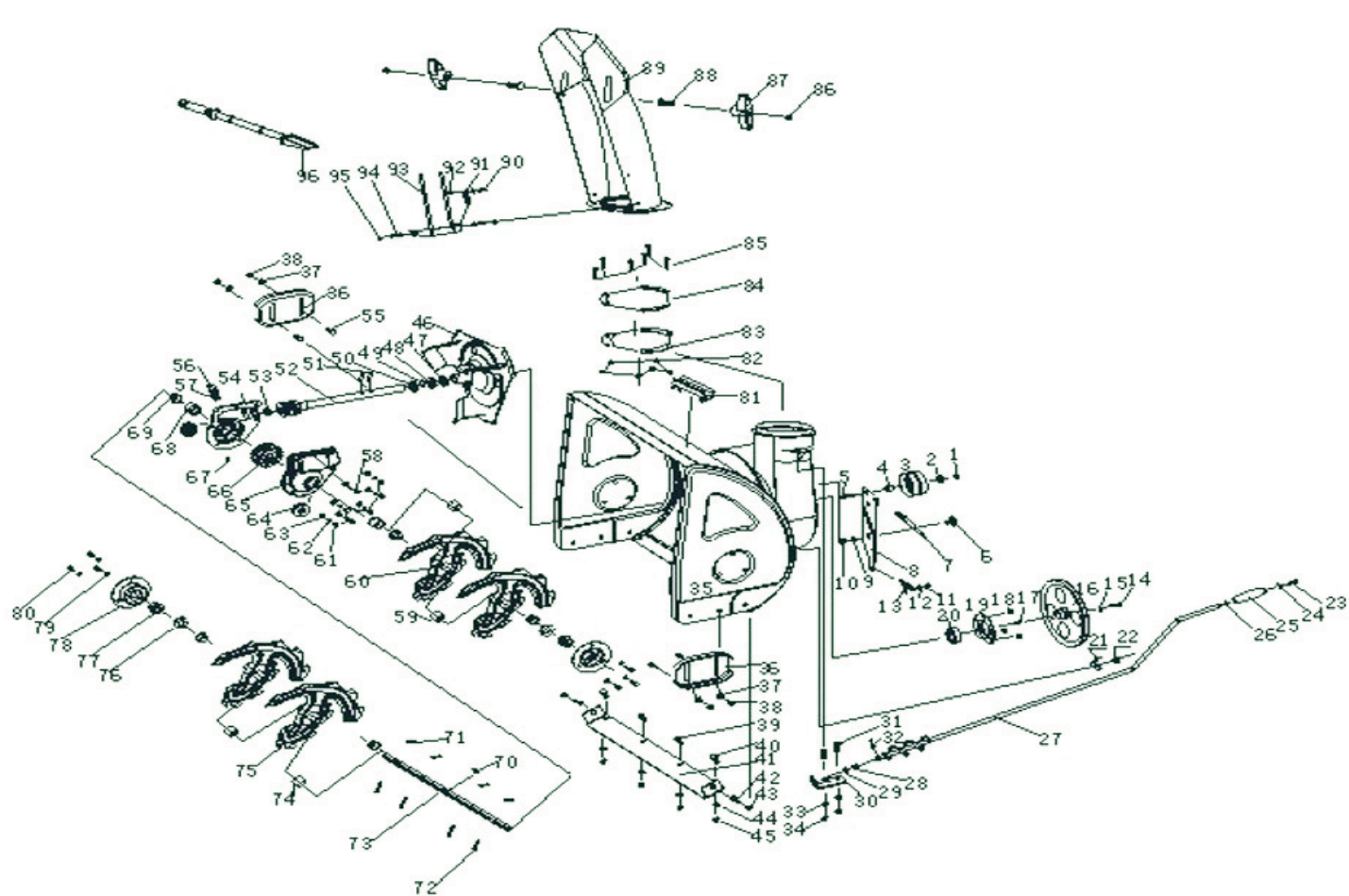
№	Артикул	Наименование	Кол-во
1	SJ-042EVO	SJ handle kit	1
2	NHLN-8EVO	Non metal outside six angle locknut	2
3	SJ-110EVO	SJ handle	2
4	SJ-047EVO	SJ rubber cap	2
5	HS-8*45EVO	hexagon screw	2
6	SJ-033BEVO	SJ steel sticker	2
7	XA-04-110EVO	copper nut	2
8	SJ-032EVO	Steel rod SJ 1	1
9	SJ-109EVO	SJ bounding plate	1
10	NHLN-6EVO	Non metal outside six angle locknut	3
11	FB-6.5*12*0.7EVO	gasket	6
12	HS-6*35EVO	hexagon screw	3
13	SJ-033EVO	Steel rod SJ 2	1
14	NHLN-8EVO	Non metal outside six angle locknut	1
15	HN-8EVO	hexagon screw	1
16	SJ-044BEVO	SJ rudder rod	1
17	SJ-044CEVO	SJ rotating rod rubber ring	1
18	HFB-8*40EVO	hexagon screw	2
19	SJ-028EVO	The handrail rod shim	2
20	HS-8*20EVO	hexagon screw	2
21	FB-8*22*2EVO	flat gasket	2



№	Артикул	Наименование	Кол-во
1		engine	1
2	SJ-031EVO	The belt wheel cover	1
3	FB-6*16*1.5EVO	flat gasket	2
4	HS-6*12EVO	hexagon screw	2
5	SJ-045EVO	Small tensioning plate	1
6	SJ-046-1EVO	Small tensioning plate pad	1
7	SJ-035-1EVO	Spring 3	1
8	HS-8*20EVO	hexagon screw	1
9	FB-8*16*1.2EVO	flat gasket	6
10	HS-8*16EVO	hexagon screw	1
11	SX-11-170EVO	small tension wheel	1
12	SJ-008CEVO	gasket	1
13	HS-8*30EVO	hexagon screw	1
14	SX-11-170BEVO	Small tensioning wheel pad	1
15	NHLN-8EVO	Non metal outside six angle locknut	5
16	HFB-8*25EVO	hexagonal bolt	1
17	SW-8EVO	spring washer	2
18	FB-8*28*3EVO	flat gasket	1
19	SJ-049BEVO	SJ main pulley	1
20	LB4L-885EVO	V type belt	1
21	SJ-049-1EVO	The small pulley washer	1
22	TB-5M*750EVO	synchronous belt	1
23	SJ-049EVO	SJ main toothed belt pulley	1



№	Артикул	Наименование	Кол-во
1	SJ-308EVO	The gear handle ball	1
2	SJ-068AEVO	SJ sticker	1
3	NHLN-6EVO	Non metal outside six angle locknut	3
4	SJ-068BEVO	SJ steel sticker sheet	1
5	HS-6*25EVO	hexagon screw	1
6	HS-6*25EVO	hexagon screw	1
7	HES-6*20EVO	socket head screw	2
8	NHLN-6EVO	Non metal outside six angle locknut	1
9	HFN-6EVO	flange nut	1
10	HS-8*16EVO	hexagon screw	1
11	FB-8*28*2EVO	flat gasket	3
12	KBE-6203EVO	deep groove ball bearing with spring	1
13	SJ-005EVO	Six angle gear shaft	1
14	SJ-013CEVO	change pulley	1
15	HS-6*12EVO	hexagon screw	3
16	SJ-013DEVO	rubber ring	1
17	SJ-013AEVO	Big washer	2
18	HS-6*12EVO	hexagon screw	3
19	SJ-013BEVO	shaft cap	2
20	SR-35EVO	Shaft circlip	1
21	KBE-6203EVO	deep groove ball bearing with spring	1
22	FB-10*28*2EVO	flat gasket	1
23	NHLN-10EVO	Non metal outside six angle locknut	1
24	SJ-052EVO	SJ hexagonal bolt 3	2
25	SJ-016BEVO	SJ cable pulley	2
26	SJ-016AEVO	SJ pulley mounting plate 1	1
27	FB-6*12*0.7EVO	flat gasket	2
28	HS-6*12EVO	hexagon screw	2
29	HFN-6EVO	flange surface nut	3
30	FB-13*24*2EVO	flat gasket	2
31	CP-2.5*35EVO	opening pin	1
32	SJ-007EVO	SJ belt pulley bracket	1
33	BE-6203EVO	deep groove ball bearing	2
34	SJ-010BEVO	Drive shaft pulley	1
35	SJ-010AEVO	SJ driving synchronous belt pulley assembly	1
36	SJ-107EVO	SJ sleeve	1
37	NHLN-10EVO	Non metal outside six angle locknut	1
38	SJ-069EVO	spring 6	1
39	SJ-015EVO	pulley plate 2	1
40	FB-6*12*0.7EVO	flat gasket	2
41	HS-6*12EVO	hexagon screw	2
42	SJ-016BEVO	SJ cable pulley	1
43	SJ-052EVO	SJ six angle screw 3	1
44	SJ-040EVO	shifting fork	1
45	SJ-002EVO	Rectangular block	1
46	HS-6*12EVO	hexagon screw	2
47	NHLN-8EVO	Non metal outside six angle locknut	6
48	FB-8*16*1.2EVO	flat gasket	6
49	SJ-103EVO	SJ gear box shell	1
50	HFN-6EVO	flange nut	4
51	FB-6*12*0.7EVO	flat gasket	3
52	HS-6*30EVO	hexagon screw	2
53	HS-6*20EVO	hexagon screw	1
54	SJ-026EVO	The end cap sleeve	2
55	SJ-003EVO	big gear wheel	1
56	WK-5*7.5*19EVO	woodruff key	2
57	OSP-4*30EVO	opening pin	1
58	SJ-017EVO	drive axle	1
59	SJ-066EVO	The spring pin assembly	2
60	FB-19*38*1.5EVO	flat gasket	3
61	TC-13EVO	tire	2
62	HS-6*12EVO	hexagon screw	6
63	FB-6*12*0.7EVO	flat gasket	6
64	SJ-102EVO	SJ transmission case cover plate	1
65	SJ-014EVO	SJ pulley mounting plate 3	1



№	Артикул	Наименование	Кол-во
1	NHLN-8EVO	Non metal outside six angle locknut	1
2	SJ-008CEVO	SJ pad	1
3	SJ-008EVO	SJ large tight wheel 2(with bearing)	1
4	SJ-008BEVO	SJ sleeve	1
5	HS-8*45EVO	hexagon screw	1
6	SJ-050EVO	SJ hexagonal bolt 1	1
7	SJ-032AEVO	SJ spring 1	1
8	SJ-023EVO	SJ fixed plate	1
9	FB-10*20*2EVO	flat gasket	2
10	NHLN-10EVO	Non metal outside six angle locknut	1
11	NHLN-8EVO	Non metal outside six angle locknut	1
12	FB-8*16*1.2EVO	flat gasket	2
13	SJ-037EVO	spring 5	1
14	HS-8*20EVO	hexagon screw	1
15	FB-8*28*2EVO	flat gasket	1
16	SJ-039EVO	SJ large belt pulley	1
17	FK-C6*17EVO	square key	1
18	NHLN-8EVO	Non metal outside six angle locknut	3
19	SJ-004EVO	Round bottom cover	1
20	BE-UC204EVO	Spherical ball bearing	1
21	SJ-300EVO	Belt guard	1
22	NHLN-8EVO	Non metal outside six angle locknut	1
23	SHS-6*10EVO	cross head screw	1
24	FB-6*18*1.5EVO	flat gasket	1
25	SJ-310EVO	SJ hand set	1
26	FB-10*20*1EVO	flat gasket	1
27	SJ-044AEVO	rocker	1
28	SJ-011AEVO	The mounting plate plastic ring	1
29	FB-10*φ20*2EVO	flat gasket	1
30	SJ-011EVO	Small mounting plate	1
31	CB-8*18EVO	Cup head square neck screw	2
32	CP-2.5*25EVO	cotter pin	1
33	FB-8*16*1.2EVO	flat gasket	1
34	NHLN-8EVO	Non metal outside six angle locknut	2
35	SJ-104EVO	SJ box	1
36	SJ-111EVO	SJ skid	2
37	FB-8*22*2EVO	flat gasket	4
38	NHLN-8EVO	Non metal outside six angle locknut	4
39	CB-8*16EVO	Cup head square neck screw	2
40	CB-8*20EVO	Cup head square neck screw	2
41	SJ-006EVO	SJ long baffle plate	1
42	CB-8*16EVO	Cup head square neck screw	2
43	NHLN-8EVO	Non metal outside six angle locknut	2
44	FB-8*22*2EVO	flat gasket	4
45	NHLN-8EVO	Non metal outside six angle locknut	4
46	SJ-001EVO	SJ Fan	1
47	OS-32*20*6EVO	grease seal	1
48	BE-51104EVO	single direction thrust ball bearing	1
49	SJ-057EVO	spacer ring	1
50	BE-6904EVO	deep groove ball bearing	1
51	FRP-6*30EVO	coiled spring pin	2
52	SJ-030EVO	SJ driving worm gear shaft	1
53	BE-16001EVO	deep groove ball bearing	1
54	SJ-101AEVO	SJ bottom base	1
55	CB-8*20EVO	Cup head square neck screw	4
56	RM-5HPEVO	Oil nipple	1
57	WG-10EVO	corrugated gasket	1
58	SHS-6*25EVO	hexagonal bolt	1
59	22-SX-11-300EVO	The output shaft sleeve	2
60	30-SX-11-125EVO	right auger	2
61	SHS-6*20EVO	hexagonal bolt	6
62	SW-6EVO	spring washer	7
63	FB-6*12*0.7EVO	flat gasket	7
64	OS-30*19*7EVO	grease seal	2
65	SJ-101EVO	SJ upper base	1
66	SJ-038EVO	SJ worm gear	1
67	SHS-5*12EVO	Cross head bolt	1
68	SJ-108EVO	SJ output shaft sleeve	1
69	SJ-019EVO	Drive shaft sleeve	2
70	WK-5*7.5*19EVO	woodruff key	1
71	NJ-02EVO	Pin buckle	4
72	NJ-01EVO	Output shaft bolt	4
73	22-SX-11-134EVO	output shaft	1
74	22-SX-11-301EVO	The output shaft sleeve	2
75	30-SX-11-135EVO	left auger	2
76	FB-19*38*1.5EVO	flat gasket	2
77	SJ-020EVO	axle sleeve	2
78	SJ-024EVO	bearing cap	2
79	FB-8*16*1.2EVO	flat gasket	6
80	HS-8*10EVO	hexagon screw	6
81	SJ-151EVO	shovel bracket	1
82	NHLN-6EVO	Non metal outside six angle locknut	6
83	SJ-021EVO	Washer	3
84	SJ-021CEVO	Washer	3
85	HS-6*16EVO	hexagon screw	6
86	NHLN-8EVO	Non metal outside six angle locknut	2
87	SJ-138EVO	handle locking	2
88	CB-8*25EVO	Cup head square neck screw	2
89	SJ-140EVO	snow chute	1
90	HS-6*16EVO	hexagon screw	1
91	SJ-036EVO	spring 4	1
92	HFN-6EVO	The six angle flange surface nut	2
93	SJ-012EVO	SJ Bending Rod Set	1
94	HS-6*16EVO	hexagon screw	2
95	NHLN-6EVO	Non metal outside six angle locknut	2
96	SJ-150EVO	Plastic shovel	1