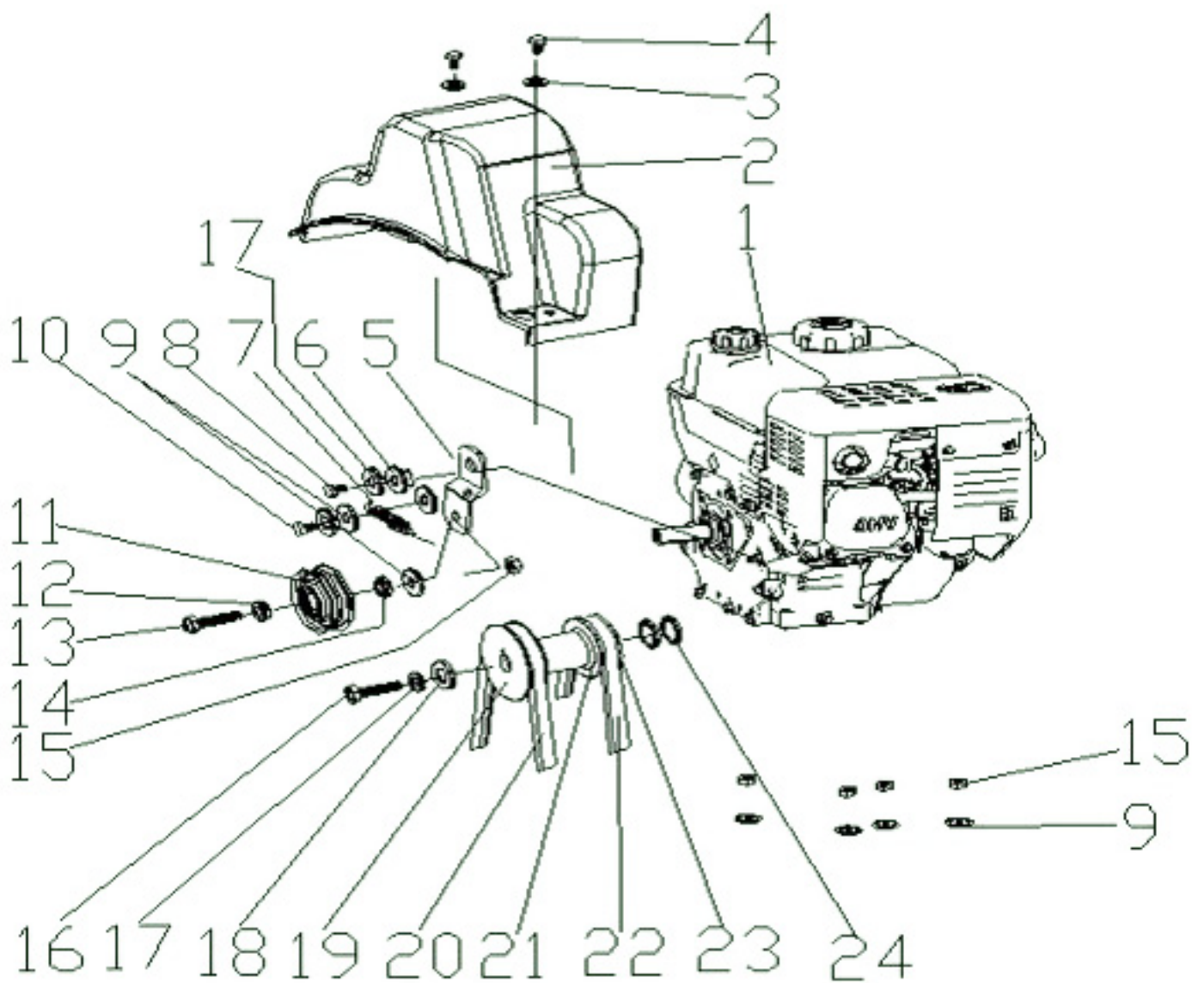
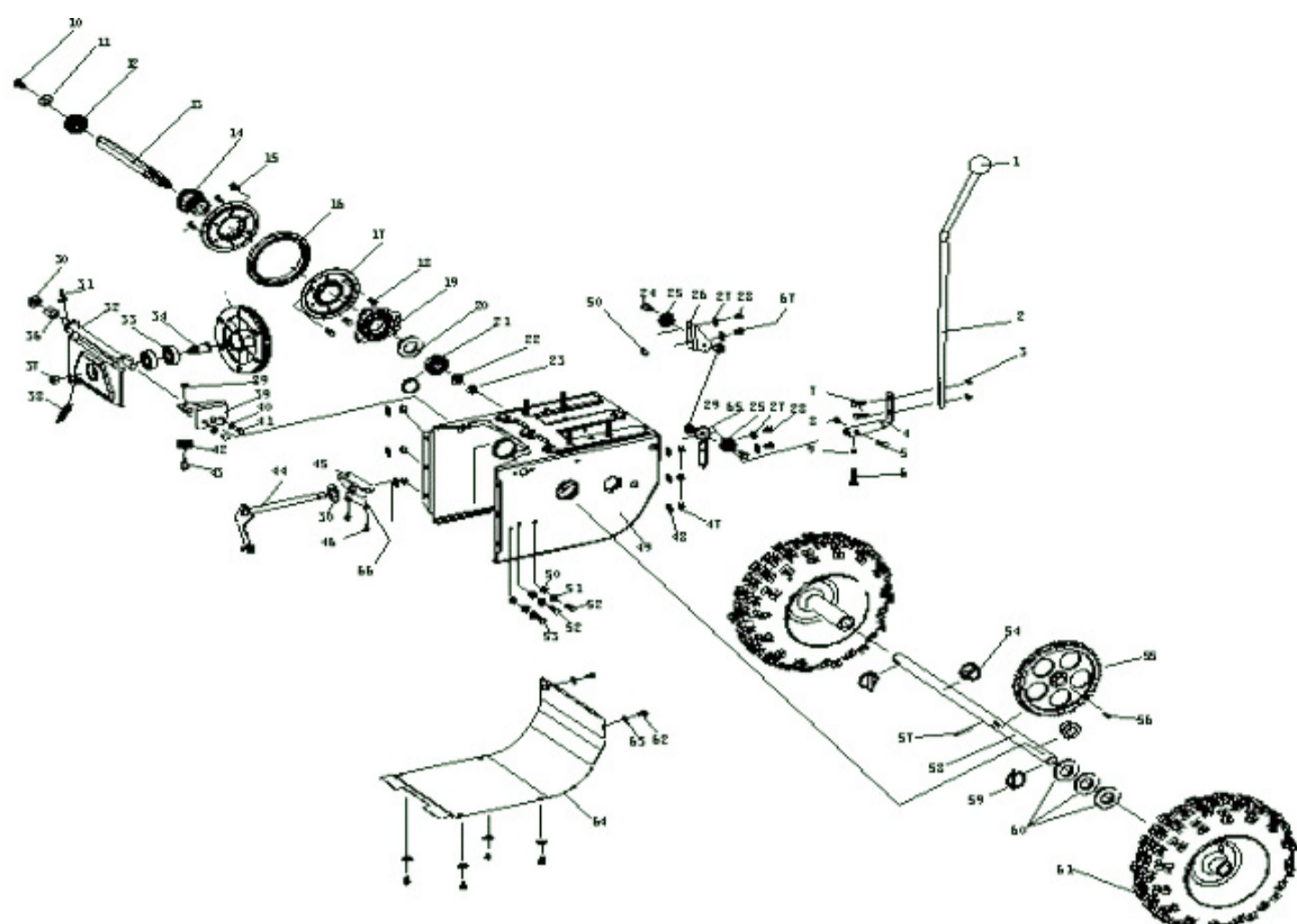


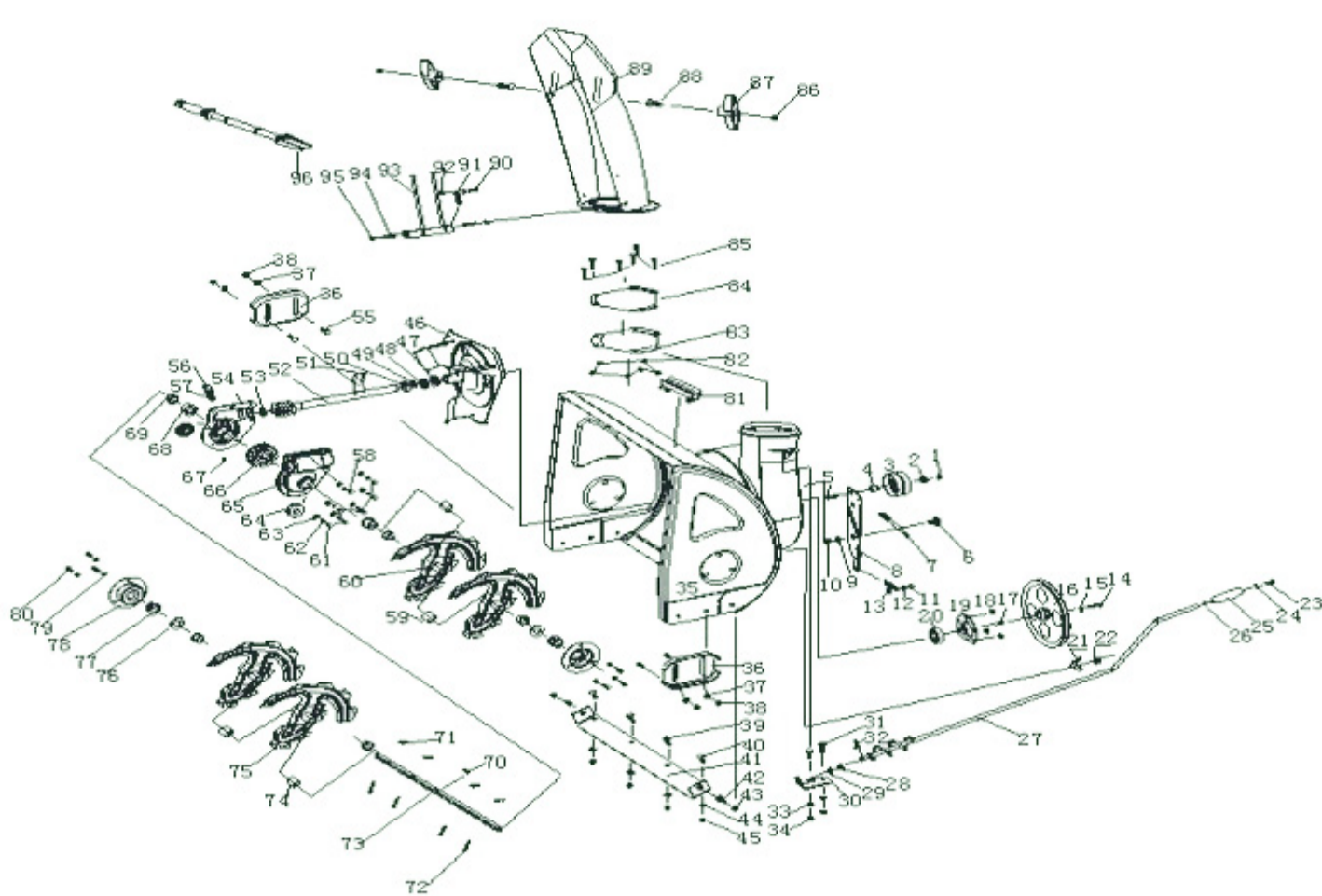
| №  | Артикул          | Наименование                            | Кол-во |
|----|------------------|---|--------|
| 1  | SJ-042EVO        | SJ handle kit                           | 1      |
| 2  | NHLN-8EVO        | Non metal outside hexagonal locking nut | 2      |
| 3  | SJ-110EVO        | SJ handle                               | 2      |
| 4  | SJ-047EVO        | SJ rubber cap                           | 2      |
| 5  | HS-8*45EVO       | out hexagonal screw                     | 2      |
| 6  | SJ-033BEVO       | SJ steel rod                            | 2      |
| 7  | XA-04-110EVO     | copper nut                              | 2      |
| 8  | SJ-032EVO        | Rod SJ 1                                | 1      |
| 9  | SJ-109EVO        | SJ gear selector plate                  | 1      |
| 10 | NHLN-6EVO        | non metal outside hexagonal locking nut | 3      |
| 11 | FB-6.5*12*0.7EVO | Washer                                  | 6      |
| 12 | HS-6*35EVO       | out hexagonal screw                     | 3      |
| 13 | SJ-033EVO        | Rod SJ 2                                | 1      |
| 14 | NHLN-8EVO        | non metal outside hexagonal locking nut | 1      |
| 15 | HN-8EVO          | OUT hexagonal nut                       | 1      |
| 16 | SJ-044BEVO       | SJ rotary rod                           | 1      |
| 17 | SJ-044CEVO       | SJ rotary rod rubber ring               | 1      |
| 18 | HFB-8*40EVO      | out hexagonal screw                     | 2      |
| 19 | SJ-028EVO        | SJ handle rod washer                    | 2      |
| 20 | HS-8*20EVO       | out hexagonal screw                     | 2      |
| 21 | FB-8*22*2EVO     | flat gasket                             | 2      |
| 22 | SJ-122EVO        | head light                              | 1      |
| 23 | NHLN-8EVO        | non metal outside hexagonal locking nut | 1      |
| 24 | FB-8*16*1.2EVO   | flat gasket                             | 3      |
| 25 | SJ-150-1EVO      | new light stand                         | 1      |
| 26 | HS-8*40EVO       | out hexagonal screw                     | 1      |



| №  | Артикул        | Наименование                            | Кол-во |
|----|----------------|---|--------|
| 1  |                | engine                                  | 1      |
| 2  | SJ-031EVO      | SJ belt pulley cover                    | 1      |
| 3  | FB-6*16*1.5EVO | flat gasket                             | 2      |
| 4  | HS-6*12EVO     | out hexagonal screw                     | 2      |
| 5  | SJ-045EVO      | SJ small tension plate                  | 1      |
| 6  | SJ-046-1EVO    | Small tension plate pad                 | 1      |
| 7  | SJ-035-1EVO    | SJ spring 3                             | 1      |
| 8  | HS-8*20EVO     | out hexagonal screw                     | 1      |
| 9  | FB-8*16*1.2EVO | flat gasket                             | 6      |
| 10 | HS-8*16EVO     | out hexagonal screw                     | 1      |
| 11 | SX-11-170EVO   | small tension wheel (bearing)           | 1      |
| 12 | SJ-008CEVO     | washer                                  | 1      |
| 13 | HS-8*30EVO     | out hexagonal screw                     | 1      |
| 14 | SX-11-170BEVO  | Small tension plate pad                 | 1      |
| 15 | NHLN-8EVO      | Non metal outside hexagonal locking nut | 5      |
| 16 | HFB-8*25EVO    | out hexagonal screw                     | 1      |
| 17 | SW-8EVO        | spring washer                           | 2      |
| 18 | FB-8*28*3EVO   | flat gasket                             | 1      |
| 19 | SJ-049BEVO     | SJ main pulley                          | 1      |
| 20 | LB4L-885EVO    | V belt                                  | 1      |
| 21 | SJ-049-1EVO    | small pulley washer                     | 1      |
| 22 | TB-5M*750EVO   | toothed belt                            | 1      |
| 23 | SJ-049EVO      | SJ main toothed belt pulley             | 1      |
| 24 | 25X20X1.4EVO   | output shaft gasket                     | 2      |



| №  | Артикул         | Наименование                                | Кол-во |
|----|-----------------|---|--------|
| 1  | SJ-308EVO       | handle ball                                 | 1      |
| 2  | SJ-068AEVO      | SJ sticker                                  | 1      |
| 3  | NHLN-6EVO       | Non metal outside hexagonal locking nut     | 2      |
| 4  | SJ-068BEVO      | SJ steel sticker sheet                      | 1      |
| 5  | HS-6*25EVO      | out hexagonal screw                         | 1      |
| 6  | HS-6*25EVO      | out hexagonal screw                         | 1      |
| 7  | HES-6*20EVO     | inner hexagonal screw                       | 2      |
| 8  | NHLN-6EVO       | non metal outside hexagonal locking nut     | 1      |
| 9  | HFN-6EVO        | flange nut                                  | 1      |
| 10 | HS-8*16EVO      | out hexagonal screw                         | 1      |
| 11 | FB-8*28*2EVO    | flat gasket                                 | 3      |
| 12 | KBE-6203EVO     | deep groove ball bearing with spring        | 1      |
| 13 | SJ-005EVO       | SJ six angle gear shaft                     | 1      |
| 14 | SJ-013CEVO      | SJ gear wheel                               | 1      |
| 15 | HS-6*12EVO      | hexagonal bolt                              | 3      |
| 16 | SJ-013DEVO      | Rubber ring SJ                              | 1      |
| 17 | SJ-013AEVO      | SJ gear wheel washer                        | 2      |
| 18 | HS-6*12EVO      | hexagonal bolt                              | 3      |
| 19 | SJ-013BEVO      | SJ gear wheel cover                         | 2      |
| 20 | SR-35EVO        | shaft circlip                               | 1      |
| 21 | KBE-6203EVO     | deep groove ball bearing with spring        | 1      |
| 22 | FB-10*28*2EVO   | flat gasket                                 | 1      |
| 23 | NHLN-10EVO      | non metal outside hexagonal locking nut     | 1      |
| 24 | SJ-052EVO       | SJ hexagonal bolt 3                         | 2      |
| 25 | SJ-016BEVO      | SJ cable pulley                             | 2      |
| 26 | SJ-016AEVO      | SJ pulley mounting plate 1                  | 1      |
| 27 | FB-6*12*0.7EVO  | flat gasket                                 | 2      |
| 28 | HS-6*12EVO      | out hexagonal screw                         | 2      |
| 29 | HFN-6EVO        | flange nut                                  | 3      |
| 30 | FB-13*24*2EVO   | flat gasket                                 | 2      |
| 31 | CP-2.5*35EVO    | opening pin                                 | 1      |
| 32 | SJ-007EVO       | SJ belt pulley bracket                      | 1      |
| 33 | BE-6203EVO      | deep groove ball bearing                    | 2      |
| 34 | SJ-010BEVO      | SJ transmission belt wheel shaft            | 1      |
| 35 | SJ-010AEVO      | SJ driving synchronous belt pulley assembly | 1      |
| 36 | SJ-107EVO       | SJ sleeve                                   | 1      |
| 37 | NHLN-10EVO      | non metal outside hexagonal locking nut     | 1      |
| 38 | SJ-069EVO       | spring 6                                    | 1      |
| 39 | SJ-015EVO       | SJ pulley mounting plate 2                  | 1      |
| 40 | FB-6*12*0.7EVO  | flat gasket                                 | 2      |
| 41 | HS-6*12EVO      | out hexagonal screw                         | 2      |
| 42 | SJ-016BEVO      | SJ cable pulley                             | 1      |
| 43 | SJ-052EVO       | SJ hexagonal bolt 3                         | 1      |
| 44 | SJ-040EVO       | SJ fork                                     | 1      |
| 45 | SJ-002EVO       | SJ rectangular block                        | 1      |
| 46 | HS-6*12EVO      | out hexagonal screw                         | 2      |
| 47 | NHLN-8EVO       | non metal outside hexagonal locking nut     | 6      |
| 48 | FB-8*16*1.2EVO  | flat gasket                                 | 6      |
| 49 | SJ-103EVO       | SJ gear box shell                           | 1      |
| 50 | HFN-6EVO        | flange nut                                  | 5      |
| 51 | FB-6*12*0.7EVO  | flat gasket                                 | 3      |
| 52 | HS-6*30EVO      | out hexagonal screw                         | 2      |
| 53 | HS-6*20EVO      | out hexagonal screw                         | 1      |
| 54 | SJ-026EVO       | SJ end cap sleeve                           | 2      |
| 55 | SJ-003EVO       | SJ large gear                               | 1      |
| 56 | WK-5*7.5*19EVO  | half-round key                              | 2      |
| 57 | OSP-4*30EVO     | opening pin                                 | 1      |
| 58 | SJ-017EVO       | SJ driving wheel shaft                      | 1      |
| 59 | SJ-066EVO       | SJ spring pin                               | 2      |
| 60 | FB-19*38*1.5EVO | flat gasket                                 | 3      |
| 61 | TC-13EVO        | wheel                                       | 2      |
| 62 | HS-6*12EVO      | out hexagonal screw                         | 6      |
| 63 | FB-6*12*0.7EVO  | flat gasket                                 | 6      |
| 64 | SJ-102EVO       | SJ transmission box cover plate             | 1      |
| 65 | SJ-014EVO       | SJ pulley mounting plate 3                  | 1      |
| 67 | HS-6*16EVO      | out hexagonal screw                         | 1      |



| №  | Артикул         | Наименование                            | Кол-во |
|----|-----------------|---|--------|
| 1  | NHLN-8EVO       | non metal outside hexagonal locking nut | 1      |
| 2  | SJ-008CEVO      | SJ pad                                  | 1      |
| 3  | SJ-008EVO       | SJ large tight wheel 2(with bearing)    | 1      |
| 4  | SJ-008BEVO      | SJ sleeve                               | 1      |
| 5  | HS-8*45EVO      | out hexagonal screw                     | 1      |
| 6  | SJ-050EVO       | SJ hexgonal screw 1                     | 1      |
| 7  | SJ-032AEVO      | SJ spring 1                             | 1      |
| 8  | SJ-023EVO       | SJ fixed plate                          | 1      |
| 9  | FB-10*20*2EVO   | flat gasket                             | 2      |
| 10 | NHLN-10EVO      | non metal outside hexagonal locking nut | 1      |
| 11 | NHLN-8EVO       | non metal outside hexagonal locking nut | 1      |
| 12 | FB-8*16*1.2EVO  | flat gasket                             | 2      |
| 13 | SJ-037EVO       | SJ spring 5                             | 1      |
| 14 | HS-8*20EVO      | out hexagonal screw                     | 1      |
| 15 | FB-8*28*2EVO    | flat gasket                             | 1      |
| 16 | SJ-039EVO       | SJ large belt pulley                    | 1      |
| 17 | FK-C6*17EVO     | square key                              | 1      |
| 18 | NHLN-8EVO       | non metal outside hexagonal locking nut | 3      |
| 19 | SJ-004EVO       | SJ round bottom cover                   | 1      |
| 20 | BE-UC204EVO     | bearing                                 | 1      |
| 21 | SJ-300EVO       | belt plate                              | 1      |
| 22 | NHLN-8EVO       | non metal outside hexagonal locking nut | 1      |
| 23 | SHS-6*10EVO     | cross head screw                        | 1      |
| 24 | FB-6*18*1.5EVO  | flat gasket                             | 1      |
| 25 | SJ-310EVO       | SJ hand set                             | 1      |
| 26 | FB-10*20*1EVO   | flat gasket                             | 1      |
| 27 | SJ-044AEVO      | SJ rocker                               | 1      |
| 28 | SJ-011AEVO      | SJ mounting plate plastic ring          | 1      |
| 29 | FB-10*φ20*2EVO  | flat gasketφ10*φ20*2                    | 1      |
| 30 | SJ-011EVO       | SJ small mounting plate                 | 1      |
| 31 | CB-8*18EVO      | Half round head screw                   | 2      |
| 32 | CP-2.5*25EVO    | opening pin                             | 1      |
| 33 | FB-8*16*1.2EVO  | flat gasket                             | 1      |
| 34 | NHLN-8EVO       | non metal outside hexagonal locking nut | 2      |
| 35 | SJ-104EVO       | SJ box                                  | 1      |
| 36 | SJ-111EVO       | SJ skid                                 | 2      |
| 37 | FB-8*22*2EVO    | flat gasket                             | 4      |
| 38 | NHLN-8EVO       | non metal outside hexagonal locking nut | 4      |
| 39 | CB-8*16EVO      | Half round head screw                   | 2      |
| 40 | CB-8*20EVO      | Half round head screw                   | 2      |
| 41 | SJ-006EVO       | SJ long baffle plate                    | 1      |
| 42 | CB-8*16EVO      | Half round head screw                   | 2      |
| 43 | NHLN-8EVO       | non metal outside hexagonal locking nut | 2      |
| 44 | FB-8*22*2EVO    | flat gasket                             | 4      |
| 45 | NHLN-8EVO       | non metal outside hexagonal locking nut | 4      |
| 46 | SJ-001EVO       | SJ fan                                  | 1      |
| 47 | OS-32*20*6EVO   | oil seal                                | 1      |
| 48 | BE-51104EVO     | single direction thrust ball bearing    | 1      |
| 49 | SJ-057EVO       | spacer ring                             | 1      |
| 50 | BE-6904EVO      | deep groove ball bearing                | 1      |
| 51 | FRP-6*30EVO     | coiled spring pin                       | 2      |
| 52 | SJ-030EVO       | SJ driving worm gear shaft              | 1      |
| 53 | BE-16001EVO     | deep groove ball bearing                | 1      |
| 54 | SJ-101AEVO      | SJ bottom base                          | 1      |
| 55 | CB-8*20EVO      | Half round head screw                   | 4      |
| 56 | RM-5HPEVO       | grease nipple                           | 1      |
| 57 | WG-10EVO        | corrugated gasket                       | 1      |
| 58 | SHS-6*25EVO     | hexagonal screw                         | 1      |
| 59 | 22-SX-11-300EVO | output shaft 22-1                       | 2      |
| 60 | 30-SX-11-125EVO | right auger                             | 2      |
| 61 | SHS-6*20EVO     | hexagonal screw                         | 6      |
| 62 | SW-6EVO         | spring washer                           | 7      |
| 63 | FB-6*12*0.7EVO  | flat gasket                             | 7      |
| 64 | OS-30*19*7EVO   | oil seal                                | 2      |
| 65 | SJ-101EVO       | SJ upper base                           | 1      |
| 66 | SJ-038EVO       | SJ worm gear                            | 1      |
| 67 | SHS-5*12EVO     | Cross head bolt                         | 1      |
| 68 | SJ-108EVO       | SJ output shaft sleeve                  | 1      |
| 69 | SJ-019EVO       | SJ drive shaft sleeve                   | 2      |
| 70 | WK-5*7.5*19EVO  | half round key                          | 1      |
| 71 | NJ-02EVO        | pin                                     | 4      |
| 72 | NJ-01EVO        | output shaft bolt                       | 4      |
| 73 | 22-SX-11-134EVO | output shaft                            | 1      |
| 74 | 22-SX-11-301EVO | output shaft sleeve22-2                 | 2      |
| 75 | 30-SX-11-135EVO | left auger                              | 2      |
| 76 | FB-19*38*1.5EVO | flat gasket                             | 2      |
| 77 | SJ-020EVO       | SJ bushing                              | 2      |
| 78 | SJ-024EVO       | SJ bearing cover                        | 2      |
| 79 | FB-8*16*1.2EVO  | flat gasket                             | 6      |
| 80 | HS-8*10EVO      | hexagonal screw                         | 6      |
| 81 | SJ-151EVO       | shovel seat                             | 1      |
| 82 | NHLN-6EVO       | non metal outside hexagonal locking nut | 6      |
| 83 | SJ-021EVO       | chute gasket                            | 3      |
| 84 | SJ-021CEVO      | chute gasket                            | 3      |
| 85 | HS-6*16EVO      | hexagonal screw                         | 6      |
| 86 | NHLN-8EVO       | non metal outside hexagonal locking nut | 2      |
| 87 | SJ-138EVO       | locking handle                          | 2      |
| 88 | CB-8*25EVO      | Half round head screw                   | 2      |
| 89 | SJ-140EVO       | chute                                   | 1      |
| 90 | HS-6*16EVO      | out hexagonal screw                     | 1      |
| 91 | SJ-036EVO       | spring 4                                | 1      |
| 92 | HFN-6EVO        | out hexagonal nut                       | 2      |
| 93 | SJ-012EVO       | SJ Curved Rod Set                       | 1      |
| 94 | HS-6*16EVO      | out hexagonal screw                     | 2      |
| 95 | NHLN-6EVO       | non metal outside hexagonal locking nut | 2      |
| 96 | SJ-150EVO       | plastic shovel                          | 1      |