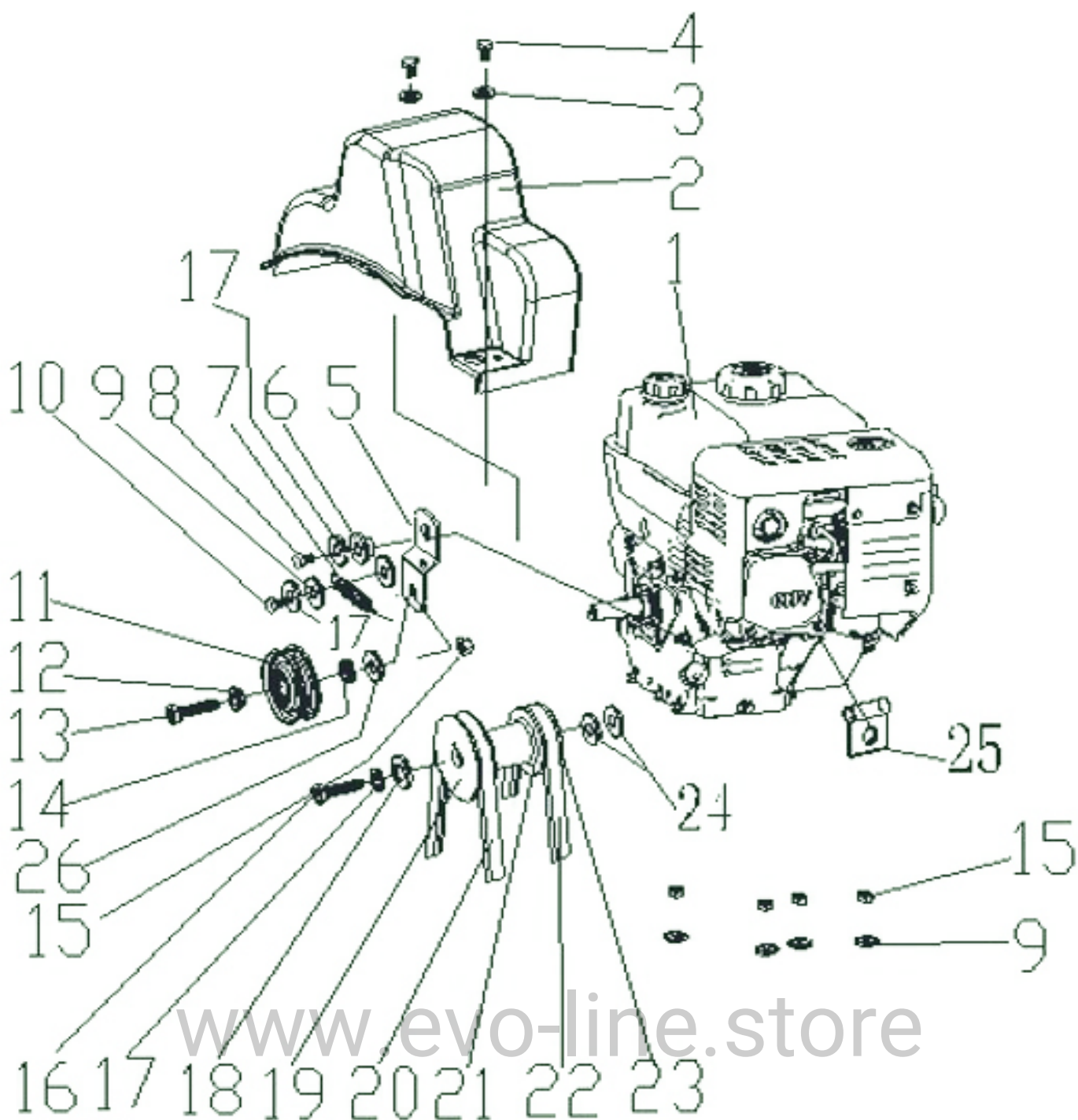
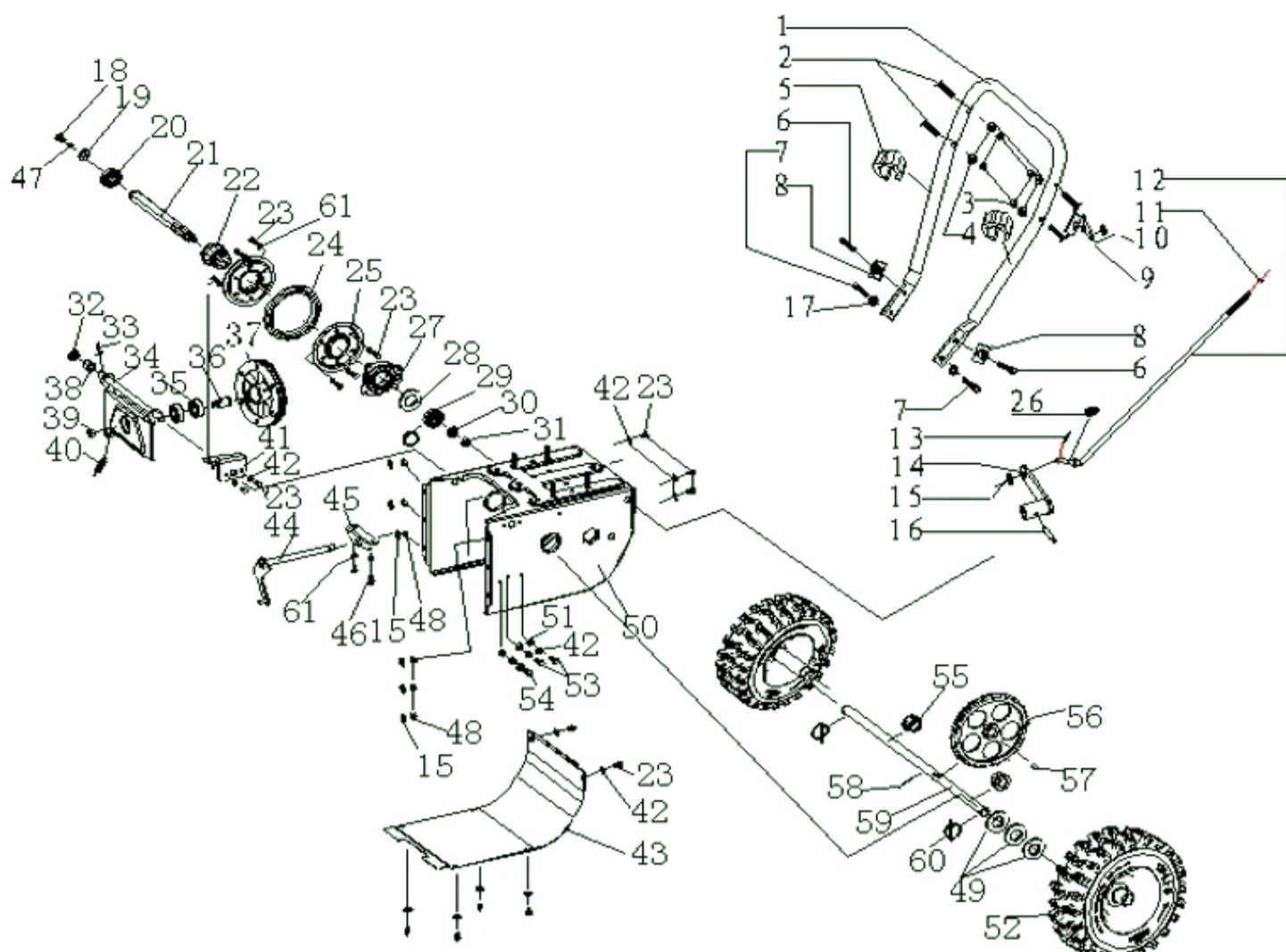


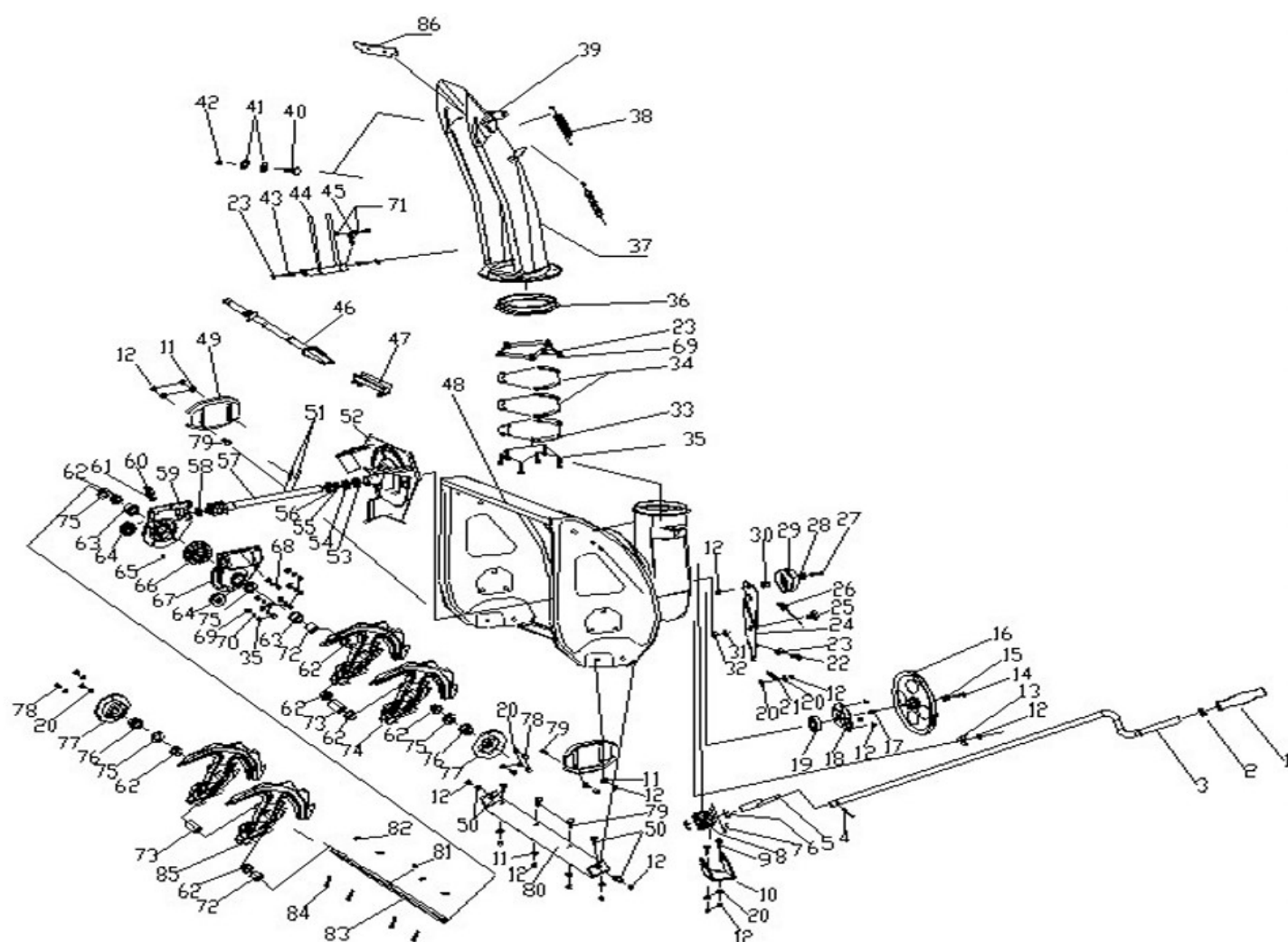
№	Артикул	Наименование	Кол-во
1	STG6556NA-01.10-08EVO	Handle sleeve	2
2	NF-002-R-BEVO	right handle pipe welding components B-2012	1
3	SX-11-031-2EVO	right handle welding kit-2012	1
4	SJ-231EVO	walking cable	1
5	HFN-8EVO	flange nut	1
6	8-SX-ZZ-36KEVO	handle self-locking cable-2012	1
7	NHLN-6EVO	hexagonal self-locking nut	4
8	NF-001-8EVO	gear plate welding assembly	1
9	SW-8EVO	spring washer	2
10	NF-001-13-2EVO	walking gear extension bar	1
11	SX-11-036B-2EVO	auger cable-2012	1
12	NJ-01EVO	output shaft bolt	2
13	NJ-02EVO	pin	2
14	NF-001-5-02EVO	bottom panel	1
15	NF-010EVO	plastic panel	1
16	FSMG-25EVO	handle end cap 25	1
17	SA-011EVO	01 switch	1
18	NF-001-15EVO	gear plate	1
19	FB-5*12*1EVO	flat washer	14
20	SHSS-4.8*16EVO	cross half round head screw	12
21	NF-001-4-01EVO	gear fixed frame(1)	1
22	HS-6*12EVO	six angle screw	4
23	STG8062Ae-26EVO	gear shift handle	2
24	NF-001-13EVO	chute gear extension bar	1
25	FB-8*22*2EVO	flat washer	4
26	SJ-209EVO	adjusting rod welding assembly	1
27	2012-KEY-04EVO	self locking fixing seat	1
28	FB-8*16*1.2EVO	flat washer	8
29	SW-6EVO	spring washer	2
30	HS-6*18EVO	hexagonal bolt	3
31	SX-11-31-4EVO	left clutch handle-2012	1
32	SJ-047-1EVO	SJ rubber cap	2
33	NF-002-LEVO	Left handle welding components	1
34	FB-6*12*0.7EVO	flat washer	1
35	SJ-046-1EVO	small tension plate pad	4
36	HS-8*55EVO	hexagonal bolt	2
37	HFB-8*40EVO	hexagonal bolt	3
38	HS-8*50EVO	hexagonal bolt	1
39	SJ-233EVO	cable pin	1
40	NF-001-14-3BEVO	clutch handle spring	1
41	NHLN-8EVO	hexagonal self-locking nut	9
42	SX-11-36EEVO	chute cable	1
43	HS-10*45EVO	hexagonal bolt	1
44	NF-001-4-02EVO	gear fixed bracket(2)	1
45	FB-10*28*3EVO	flat washer	1
46	GPP6562C-01-07EVO	speed control handle piece	1
47	OSP-2.5*25EVO	pin 1	1
48	GPP6562C-01-09EVO	speed control spring 1	1
49	NF-001-7EVO	left chute gear fixing bracket	1
50	STG11 (13) 70 (10) AE-02-02-08EVO	handle spring	1
51	L-620EVO	lamp	1
52	STG8062AE-22EVO	8hp lamp holder	1
53	CHSS-3.2*30EVO	cross screw	4
54	NHLN-10EVO	hexagonal self-locking nut	1
55	HS-8*45EVO	hexagonal bolt	3
56	OSP-2.0*29EVO	pin 2	1
57	NF-001-7-01EVO	right chute gear fixing bracket	1
58	SJ-223EVO	bowl-shaped gasket	1
59	SA-008EVO	saddle shaped gasket	3
60	SJ-224EVO	gourd shaped gasket	2
61	SJ-215EVO	U shape gasket	2
62	SJ-210-1EVO	adjustable mounting plate 1	1



№	Артикул	Наименование	Кол-во
1		engine	1
2	SJ-031EVO	pulley cover	1
3	FB-6*16*1.5EVO	flat washer	2
4	HS-6*12EVO	hexagonal bolt	2
5	SJ-045EVO	SJ small tension plate	1
6	SJ-046-1EVO	small tension plate washer	1
7	SJ-035-1EVO	SJ spring 3	1
8	HS-8*20EVO	hexagonal bolt	1
9	FB-8*16*1.2EVO	flat washer	6
10	HS-8*16EVO	hexagonal bolt	1
11	SX-11-170EVO	Low tension wheel kit (ball bearing)	1
12	SJ-008CEVO	sleeve	1
13	HS-8*30EVO	hexagonal self-locking nut	1
14	SX-11-170BEVO	small tension plate washer	1
15	NHLN-8EVO	hexagonal bolt	5
16	HFB-8*25EVO	spring washer	1
17	SW-8EVO	flat washer	3
18	FB-8*28*3EVO	SJ main pulley	1
19	SJ-049BEVO	V shaped belt	1
20	LB4L-880EVO	V belt	1
21	SJ-049-1EVO	toothed belt	1
22	TB-5M*750EVO	toothed belt	1
23	SJ-049EVO	flat washer	1
24	FB-8*24*2EVO	hexagonal self-locking nut	2
25	FD-04-62EVO	cable fixed lock	1
26	FB-8*22*2EVO	flat washer	1



№	Артикул	Наименование	Кол-во
1	SX-11-039EVO	lower tube of hande bar	1
2	NS-L8*40EVO	blade bolt	4
3	HFN-8EVO	flange nut	4
4	BG-8EVO	blade gasket	4
5	SSG5580A.23-01EVO	28 wire clip	2
6	HFB-8*40EVO	hexagonal bolt	2
7	HFB-8*20EVO	hexagonal bolt	2
8	SJ-028EVO	SJ handrail gasket	2
9	STG9056Ae-01-03EVO	chute rocker holder-3-2012	1
10	SJ-239EVO	helical tooth bracket rocker gasket ring	1
11	HN-8EVO	hexagonal bolt	1
12	GPP6562C-01-08EVO	articulated gear shift lever	1
13	CP-3.2*29EVO	split pin	1
14	STG11(13)70(10)AE-02-02-03EVO	GPP shifting fork	1
15	FB-8*16*1.2EVO	gasket	7
16	FRP-6*30EVO	spring pin	1
17	FB-8*22*2EVO	washer	2
18	HS-8*16EVO	hexagonal bolt	1
19	FB-8*28*2EVO	flat washer	1
20	KBE-6203EVO	deep groove ball bearing with locking spring	1
21	SJ-005EVO	SJ six angle gear shaft	1
22	SJ-013CEVO	SJ gear wheel	1
23	HS-6*12EVO	hexagonal bolt	17
24	SJ-013DEVO	Rubber ring SJ	1
25	SJ-013AEVO	SJ gear wheel circle	2
26	GPP6562C-01-09EVO	speed control adjusting spring 1	1
27	SJ-013BEVO	SJ gear wheel cover	2
28	SR-35EVO	shaft circlip	1
29	KBE-6203EVO	deep groove ball bearing with locking spring	1
30	FB-10*28*2EVO	flat washer	1
31	NHLN-10EVO	hexagonal self-locking nut	1
32	FB-13*24*2EVO	flat washer	1
33	CP-3*25EVO	pin	1
34	SJ-007EVO	SJ belt pulley bracket	1 наб.
35	BE-6203EVO	deep groove ball bearing	2
36	SJ-010BEVO	SJ pulley shaft	1
37	SJ-010AEVO	SJ toothed belt pulley assembly	1
38	SJ-107EVO	SJ sleeve	1
39	NHLN-10EVO	hexagonal self-locking nut	1
40	SJ-069EVO	spring 6	1
41	SJ-015EVO	SJ pulley mounting plate 2	1
42	FB-6*12*0.7EVO	flat washer	14
43	SJ-102EVO	SJ transmission box cover plate	1
44	SJ-040EVO	SJ fork	1 наб.
45	SJ-002EVO	SJ rectangular block	1
46	HS-6*10EVO	hexagonal bolt	2
47	SW-8EVO	spring washer	1
48	NHLN-8EVO	hexagonal self-locking nut	6
49	FB-19*38*1.5EVO	flat washer	3
50	SJ-103EVO	SJ gearbox shell	1
51	HFN-6EVO	hexagonal flange bolt	4
52	TC-13EVO	tyre	2
53	HS-6*30EVO	hexagonal bolt	2
54	HS-6*20EVO	hexagonal bolt	1
55	SJ-026EVO	SJ end cap sleeve	2
56	SJ-003EVO	SJ large gear	1
57	WK-5*7.5*19EVO	semicircle key	2
58	OSP-4*30EVO	pin	1
59	SJ-017EVO	SJ drive axle	1
60	SJ-066EVO	SJ spring pin	2
61	SW-6EVO	spring washer	8



№	Артикул	Наименование	Кол-во
1	SJ-242EVO	rocker handle sleeve	1
2	SJ-240EVO	rocker handle	1
3	SJ-227EVO	chute handle	1
4	STG11(13)70(10)AE-02-01-020EVO	8 latch pin	1
5	SJ-227-2EVO	discharge chute rocker	1
6	SJ-238EVO	helical tooth bracket gasket ring	2
7	OSP-4*42EVO	coiled spring pins	1
8	SJ-208-12EVO	helical gear-2012	1
9	CB-8*18EVO	half round head screw	2
10	SJ-225EVO	helical tooth bracket	1
11	FB-8*22*2EVO	flat washer	8
12	NHLN-8EVO	hexagonal self-locking nut	15
13	SJ-300EVO	belt plate	1
14	HS-8*20EVO	hexagonal flange bolt	1
15	FB-8*28*2EVO	flat washer	1
16	SJ-039-2EVO	SJ large belt pulley	1
17	FK-C6*17EVO	C type key	1
18	SJ-004EVO	SJ round bottom cover	1
19	BE-UC204EVO	bearing	1
20	FB-8*16*1.2EVO	flat washer	8
21	SJ-037EVO	spring 5	1
22	SJ-023-2EVO	tension screw	1
23	NHLN-6EVO	hexagonal self-locking nut	9
24	SJ-023-1EVO	SJ tension plate	A3
25	SJ-050EVO	SJ hexagonal bolt 1	1
26	SJ-230EVO	auger cable	1
27	HS-8*45EVO	hexagonal bolt	1
28	SJ-008CEVO	SJ sleeve	1
29	SJ-008EVO	SJ large tension wheel 2 (bearing)	1
30	SJ-008BEVO	SJ sleeve	1
31	FB-10*20*2EVO	flat washer	1
32	NHLN-10EVO	hexagonal self-locking nut	1
33	SJ-021EVO	chute gasket	3
34	SJ-021CEVO	chute gasket	6
35	HS-6*20EVO	hexagonal bolt	12
36	SJ-237EVO	chute base plastic ring	1
37	SX-11-106-12EVO	chute assembly-2012	1
38	SJ-226EVO	chute spring	1
39	SX-11-105-1EVO	chute cap assembly 2012	1
40	SHS-5*12EVO	cross head screws	1
41	SJ-200-8EVO	chute nylon gasket	2
42	NHLN-5EVO	hexagonal self-locking nut	1
43	HS-6*16EVO	hexagonal bolt	3
44	SJ-012EVO	SJ Curved Rod Set	1
45	SJ-036EVO	spring 4	1
46	SJ-150EVO	plastic shovel	1
47	SJ-151EVO	shovel seat	1
48	SJ-104-2EVO	SJ box	1
49	SJ-111EVO	SJ skid	2
50	CB-8*20EVO	half round head screw	4
51	FRP-6*30EVO	coiled spring pins	2
52	SJ-001EVO	SJ fan	1
53	OS-32*20*6EVO	oil seal	1
54	BE-51104EVO	single direction thrust ball bearing	1
55	SJ-057EVO	spacer ring	1
56	BE-6904EVO	deep groove ball bearing	1
57	SJ-030EVO	SJ drive worm gear shaft	1
58	BE-16001EVO	deep groove ball bearing	1
59	SJ-101AEVO	SJ bottom base	1
60	RM-5HPEVO	grease nipple	1
61	WG-10EVO	corrugated gasket	1
62	SJ-019EVO	SJ drive shaft sleeve	8
63	SJ-108-1EVO	SJ output shaft sleeve	2
64	OS-30*19*7EVO	oil seal	2
65	SHS-5*12EVO	cross head screws	1
66	SJ-038EVO	SJ worm wheel	1
67	SJ-101EVO	SJ upper base	1
68	SHS-6*25EVO	hexagonal bolt	1
69	FB-6*12*0.7EVO	flat washer	13
70	SW-6EVO	spring washer	7
71	HFN-8EVO	hexagonal flange bolt	2
72	STG24-2EVO	output shaft sleeve 24-2	2
73	STG24-1EVO	output shaft sleeve 24-1	2
74	30-SX-11-125EVO	right auger	2
75	FB-19*38*1.5EVO	flat washer	4
76	SJ-020EVO	SJ bushing	2
77	SJ-024EVO	SJ bearing cover	2
78	HS-8*10EVO	hexagonal bolt	6
79	CB-8*16EVO	half round head screw	4
80	SJ-006-2EVO	SJ long plate	1
81	WK-5*7.5*19EVO	semicircle key	1
82	NJ-02EVO	pin	4
83	24-SX-11-134EVO	output shaft	1
84	NJ-01EVO	output shaft pin	4
85	30-SX-11-135EVO	left auger	2
86	2012-SX-11-400EVO	chute rubber gasket	1