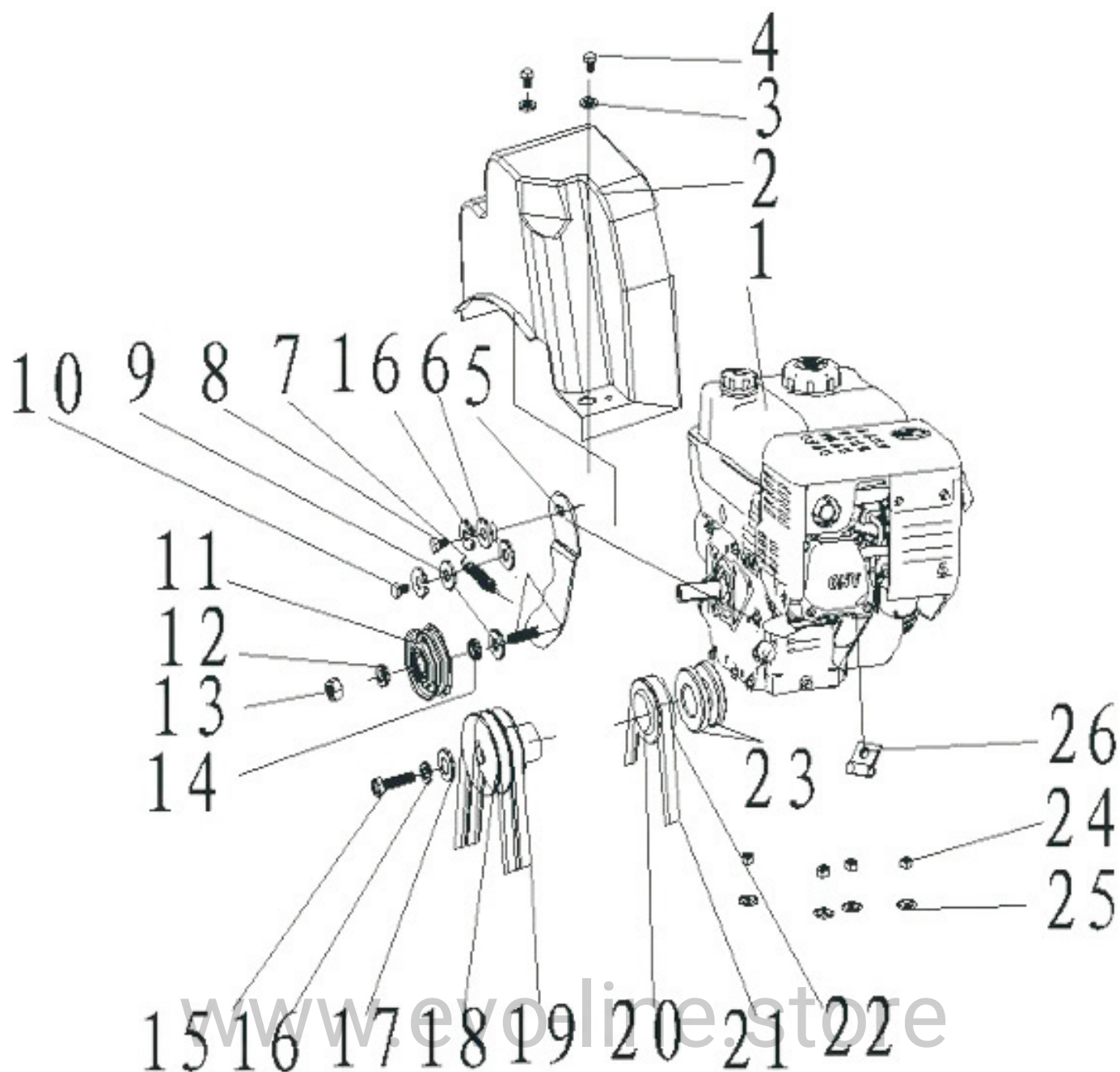
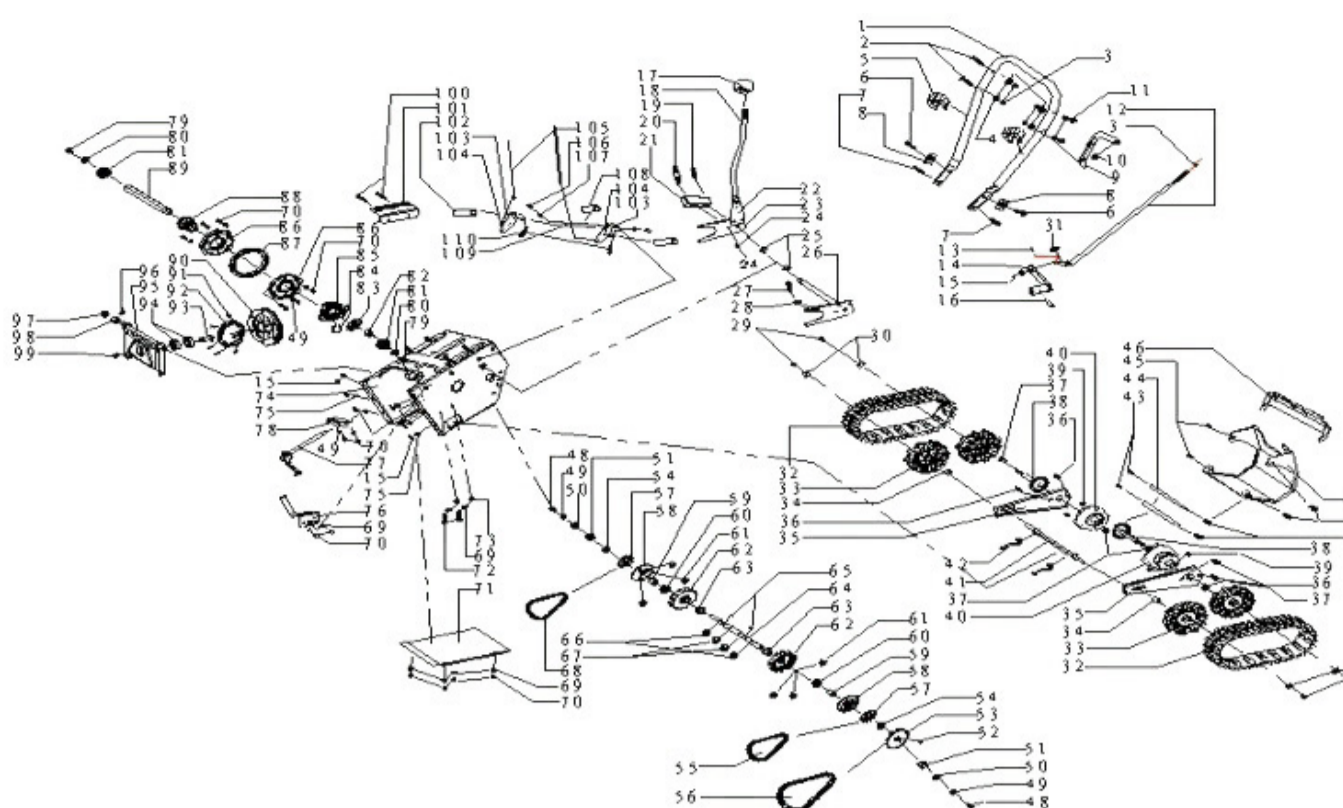


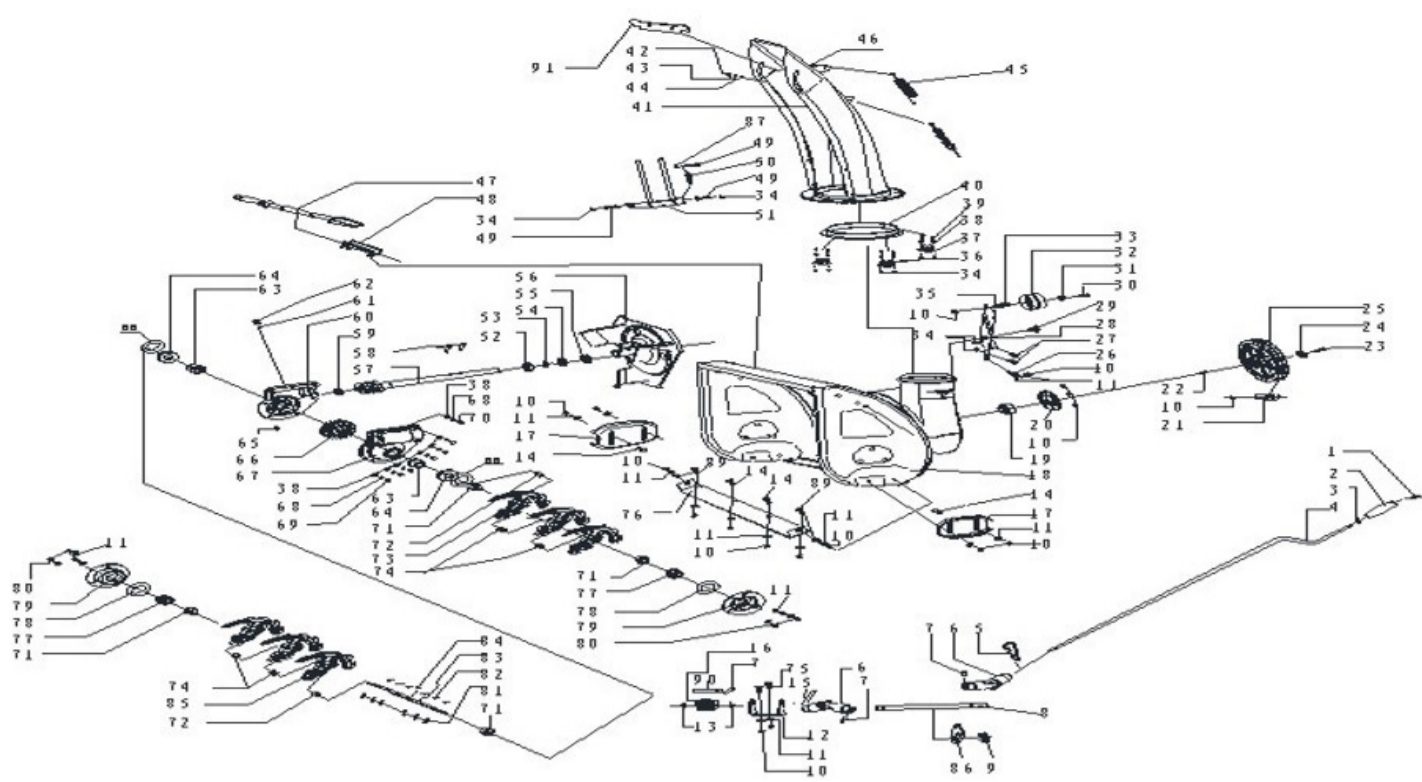
№	Артикул	Наименование	Кол-во
1	SX-11-008EVO	Warm handle	2
2	NF-002-R-BEVO	right handle welding components B	1
3	2012-SX-11-031-2EVO	right handle welding components 2012	1
4	SX-11-36B-3EVO	Stepped cable	1
5	HFN-8EVO	flange nut	1
6	11-SX-11-36KEVO	handle self-locking cable-2012	1
7	NHLN-6EVO	hexagonal locknut	4
8	NF-001-8EVO	gear plate welding assembly	1
9	SW-8EVO	spring washer	2
10	NF-001-13-2EVO	Stepped gear extension bar	1
11	SX-11-036B-2EVO	auger cable-2012	1
12	NJ-01EVO	output shaft bolt	2
13	NJ-02EVO	pin	2
14	NF-001-5-02EVO	Panel bottom plate	1
15	NF-010EVO	plastic panel	1
16	BE-4*12EVO	rivet	4
17	SA-011EVO	01 switch	2
18	NF-001-15EVO	gear plate	1
19	FB-5*12*1EVO	flat washer	14
20	SHSS-4.8*16EVO	cross half round head tapping screw	12
21	NF-001-4-01EVO	gear fixed frame(1)	1
22	HS-6*12EVO	hexagonal screw	4
23	STG8062Ae-26EVO	gear shift handle	2
24	NF-001-13EVO	chute gear extension bar	1
25	FB-8*22*2EVO	flat washer	4
26	SJ-209EVO	adjusting rod welding assembly	1
27	2012-KEY-04EVO	self locking fixing seat	1
28	FB-8*16*1.2EVO	flat washer	8
29	SW-6EVO	spring washer	2
30	HS-6*18EVO	hexagonal screw	3
31	SX-11-31-4EVO	left clutch handle-2012	1
32	SJ-047-12EVO	SJ rubber cap	2
33	NF-002-L-BEVO	Left handle welding components-B	1
34	FB-6*12*0.7EVO	flat washer	1
35	SJ-046-1EVO	small tension plate pad	4
36	HS-8*55EVO	hexagonal bolt	2
37	HFB-8*40EVO	hexagonal bolt	3
38	HS-8*50EVO	hexagonal bolt	1
39	SJ-233EVO	cable pin	1
40	NF-001-14-3BEVO	clutch handle spring	1
41	NHLN-8EVO	hexagonal locknut	9
42	SX-11-36EEVO	chute cable	1
43	HS-10*45EVO	hexagonal bolt	1
44	NF-001-4-02EVO	gear fixed bracket(2)	1
45	FB-10*28*3EVO	flat washer	1
46	GPP6562C-01-07EVO	speed control handle upper conneting piece	1
47	OSP-2.5*25EVO	pin	1
48	GPP6562C-01-09EVO	speed control spring 1	1
49	NF-001-7EVO	left chute gear fixing bracket	1
50	STG11 (13) 70 (10) AE-02-02-08EVO	handle adjusting spring	1
51	L-620EVO	head lamp	1
52	STG8062AE-22EVO	8hp lamp holder	1
53	CHSS-3.2*30EVO	Cross recessed countersunk head tapping screws	4
54	NHLN-10EVO	Non metal outside six angle locknut	1
55	HS-8*45EVO	hexagonal screw	3
56	OSP-2.0*29EVO	pin 2	1
57	NF-001-7-01EVO	right chute gear fixing bracket	1
58	SJ-223EVO	bowl-shaped gasket	1
59	SA-008EVO	saddle shaped gasket	3
60	SJ-224EVO	gourd shaped gasket	2
61	SJ-215EVO	U shape gasket	2
62	SJ-210-1EVO	adjustable mounting plate 1	1



№	Артикул	Наименование	Кол-во
1		engine	1
2	SX-11-180EVO	pulley cover	1
3	FB-6*16*1.5EVO	flat washer	2
4	HS-6*12EVO	hexagonal screw	2
5	SX-11-173EVO	small tension plate	1
6	SJ-046EVO	small tension plate washer	1
7	SJ-035-1EVO	SJ spring 3	1
8	HS-8*20EVO	hexagonal screw	1
9	FB-8*16*1.2EVO	flat washer	2
10	HS-8*20EVO	hexagonal screw	1
11	SX-11-170EVO	Low tension wheel kit (ball bearing)	1
12	SX-11-170BEVO	sleeve	1
13	NHLN-8EVO	Non metal outside six angle locknut	1
14	SJ-008CEVO	SJ washer	1
15	HS-8*35EVO	hexagonal screw	1
16	SW-8EVO	spring washer	3
17	FB-8*28*3EVO	flat washer	1
18	SX-11-168AEVO	main pulley	1
19	LBV4L-930EVO	V Belt	2
20	SX-11-168CEVO	small belt wheel washer	1
21	TB-5M*825EVO	synchronizer belt 5M	1
22	SX-11-168bEVO	main synchr-wheel	1
23	FB-25*35*2EVO	flat washer	2
24	NHLN-10EVO	Non metal outside six angle locknut	4
25	FB-10*20*2EVO	flat washer	4
26	FD-04-62EVO	cable support bracket	1



№	Артикул	Наименование	Кол-во
1	SX-11-039EVO	handle underneath tube	1
2	NS-L8*40EVO	blade bolt	2
3	HFN-8EVO	flange nut	5
4	BG-8EVO	blade gasket	4
5	SSG5580A.23-01EVO	28 wire clip	2
6	HFB-8*40EVO	hexagonal flange bolt	2
7	HFB-8*20EVO	hexagonal flange bolt	2
8	SJ-028EVO	SJ handrail gasket	2
9	NF-20EVO	chute rocker holder-3	1
10	SJ-239EVO	helical tooth bracket rocker gasket	1
11	HFB-8*45EVO	hexagonal flange bolt	2
12	GPP6562C-01-08EVO	articulated gear shift lever	1
13	CP-3.2*29EVO	split pin	1
14	STG11(13)70(10)AE-02-02-03EVO	GPP shifting fork	1
15	FB-8*16*1.2EVO	gasket	7
16	FRP-6*30EVO	spring pin	1
17	SX-11-380EVO	handgrip ball(M12 screw)	1
18	SX-11-041EVO	fork rod-3	1
19	HFB-8*20EVO	hexagonal flange screw	1
20	SX-11-224EVO	fork rod bolt	1
21	SX-11-042EVO	block	1
22	SX-11-192EVO	fork rod-1	1
23	SX-11-193EVO	fork rod plate	1
24	NHLN-8EVO	Non metal outside six angle locknut	2
25	SX-11-184EVO	hexagonal shaft sleeve	2
26	SX-11-047-1AEVO	left fork rod	1
27	HS-12*60EVO	hexagonal bolt	1
28	NHLN-12-1EVO	hexagonal screw	2
29	NHLN-12-1EVO	Non metal outside six angle locknut	4
30	FB-12*35*2EVO	flat washer	4
31	GPP6562C-01-09EVO	adjusting spring 1	1
32	SX-11-045EVO	track	2
33	SX-11-048EVO	belt wheel	4
34	SX-11-058EVO	front shaft sleeve	2
35	SX-11-051EVO	plate 3	2
36	SX-11-242EVO	track support bolt	4
37	SX-11-049EVO	shaft sleeve 3	4
38	SX-11-055BEVO	rear chainwheel welding set	2
39	NHLN-8EVO	Non metal outside six angle locknut	4
40	SX-11-052EVO	rear wheel shaft support	2
41	SX-11-054EVO	shaft 0	1
42	SX-11-053EVO	hook	2
43	HFB-8*20EVO	hexagonal flange bolt	4
44	SX-11-248EVO	rear wheel bracket support	2
45	HFB-8*12EVO	hexagonal flange bolt	4
46	NF-001-17EVO	wire holder	1
47	SX-11-254EVO	rear cover plate 2	1
48	HS-6*20EVO	hexagonal bolt	2
49	SW-6EVO	spring washer	2+8
50	FB-6*23*3EVO	flat washer	2
51	SX-11-059EVO	sleeve 2	2
52	FK-A5*22EVO	flat key	1
53	SX-11-061AEVO	chain wheel 28teeth	1
54	FB-28*15*2EVO	flat washer	2
55	C-08A-28EVO	chain	1
56	C-08A-38EVO	chain	1
57	SX-11-062EVO	cluth 2-8	2
58	SX-11-063EVO	cluth 2-6	2
59	SX-11-064EVO	cluth 2-9	2
60	SX-11-067EVO	cluth 2-2	2
61	SX-11-066EVO	cluth 2-3	6
62	SX-11-068EVO	cluth 2-4	2
63	SX-11-069EVO	cluth 2-5	2
64	SX-11-070EVO	cluth 2-1	1
65	WK-3*3.7*9.5EVO	woodruff key	2
66	SR-14EVO	cluth jump ring	2
67	SR-16EVO	cluth jump ring	2
68	C08A-28EVO	chain	1
69	FB-6*12*0.7EVO	flat washer	8
70	HS-6*12EVO	hexagonal screw	12
71	SX-11-186EVO	bottom cover plate	1
72	HS-6*35EVO	hexagonal screw	2
73	HFN-6EVO	hexagonal flange nut	2
74	SX-11-187EVO	transmission box	1
75	NHLN-8EVO	Non metal outside six angle locknut	9
76	SX-11-149EVO	pulley mounting plate 1	1
77	GPP6562C-01-13EVO	GPP shifting fork	1
78	SX-11-148EVO	vertical angle iron block	1
79	HFB-8*16EVO	hexagonal flange screw	2
80	FB-8*22*2EVO	flat washer	2
81	KBE-6203EVO	lock spring deep groove ball bearing	2
82	SX-11-184EVO	hexagonal sleeve	1
83	SX-11-183EVO	chain wheel	1
84	SR-35EVO	shaft ring	
85	SJ-013BEVO	gear shift pulley shaft cap	1
86	SJ-013AEVO	gear shift pulley sleeve gasket	2
87	SJ-013DEVO	Rubber ring	1
88	SJ-013CEVO	gear wheel	1
89	SX-11-156EVO	hexagonal gear shift shaft	1
90	SJ-010AEVO	SJ transmission synchronizing wheel	1
91	CHS-6*10EVO	cross-shaped screw	6
92	SJ-010A-1EVO	SJ transmission synchronizing wheel cap	1
93	SJ-010BEVO	transmission synchronizing wheel shaft	1
94	BE-6203EVO	deep groove ball bearing	2
95	SJ-007EVO	belt wheel support	1
96	CP-3*25EVO	split pin	1
97	FB-13*24*2EVO	flat washer	1
98	SJ-107EVO	SJ spacer bush	1
99	NHLN-10EVO	Non metal outside six angle locknut	1
100	HFB-8*20EVO	hexagonal flange screw	2
101	SX-11-181EVO	gears-engaging plate	1
102	SX-11-191EVO	spacer bush 1	2
103	SX-11-091EVO	claw	2
104	SX-11-091AEVO	claw 3	2
105	NF-SX-11-36CEVO	stepped cluth wire	2
106	HFB-8*12EVO	hexagonal flange screw	2
107	FB-12*25*2EVO	flat washer	2
108	SX-11-090EVO	spacer bush 3	1
109	SX-11-246EVO	cluth claw shaft	1
110	SX-11-094EVO	engagegear spring	2



№	Артикул	Наименование	Кол-во
1	HFB-6*12EVO	hexagonal flange bolt	1
2	SJ-018EVO	SJ rocker sleeve	1
3	FB-10*20*1.5EVO	flat washer	1
4	NF-SX-11-075-1EVO	discharge chute rocker	1
5	STG11(13)70(10)AE-02-01-020EVO	8 latch pin	1
6	SX-11-257EVO	cardan joint	2
7	OSP-4*16EVO	Elastic cylindrical pin	3
8	SX-11-084-1EVO	discharge chute rocker 1-2012	1
9	SJ-239EVO	helical tooth bracket rocker gasket ring	1
10	HL-8EVO	hexagonal locknut	18
11	FB-8*16*1.2EVO	gasket	20
12	SX-11-259-2EVO	11hp helical tooth bracket -2012	1
13	SX-11-259-1EVO	helical tooth bracket gasket ring-2012	2
14	CB-8*16EVO	half round head square neck screw	4
15	CP-3.2*25EVO	split pin	3.2X25
16	SX-11-255-2EVO	11hp helical tooth wheel-2012	1
17	SJ-111EVO	skid	2
18	28-SX-11-189LEVO	housing box	1
19	BE-SB204EVO	ball bearing	1
20	SJ-004EVO	round bottom cap	1
21	STG1310AE-02-06-01EVO	belt dam-board	1
22	FK-(B)6*6*20 (16) EVO	flat key	1
23	HS-8*20EVO	hexagonal screw	1
24	FB-8*28*2EVO	flat washer	1
25	SX-11-140EVO	main pulley	1
26	SJ-037EVO	spring 5	1
27	SJ-23-25EVO	tension bolt	2
28	SX-11-144-12EVO	tension plate 3-2012	1
29	SJ-050EVO	hexagonal screw 1	1
30	HS-8*45EVO	hexagonal screw	1
31	SJ-008CEVO	SJ gasket	1
32	SJ-008EVO	Tensioner pulley kits (bearings)	1
33	SJ-008BEVO	gasket sleeve	1
34	TB-6EVO	hexagonal locknut	10
35	FB-8*16*1.2EVO	flat gasket	2
36	SJ-021EVO	discharge chute presser	3
37	SJ-021CEVO	discharge chute gasket	6
38	FB-6*12*0.7EVO	flat gasket	13
39	HS-6*20EVO	hexagonal screw	6
40	SJ-237EVO	discharge chute plastic gasket ring	1
41	SX-11-106-12EVO	11hp discharge chute helical tooth bar-2012	1 set
42	CPS-5*12EVO	cross-shaped pan head screw	1
43	SJ-200-08EVO	discharge chute nylon gasket	2
44	TB-5EVO	Non metal outside six angle locknut	1
45	SJ-226EVO	discharge tension spring	1
46	SX-11-105-1EVO	discharge chute cap assy-2012	1 set
47	SJ-150EVO	plastic shovel	1
48	SJ-151EVO	shovel pedestal	1
49	HS-6*16EVO	hexagonal screw	3
50	SJ-036EVO	SJ Spring 4	1
51	SJ-012EVO	Bending of rod bushing rod	1
52	RM-5HPEVO	lubricating nipple	1
52	BE-6904EVO	deep groove ball bearing	1
53	SJ-057EVO	space ring	1
54	BE-51104EVO	single direction thrust ball bearing	1
55	PS-32*20*7EVO	oil seal	2
56	SJ-001EVO	fan	1
57	SX-11-114EVO	transmission worm wheel shaft	1
58	FRP-6*30`EVO	spring pin	2
59	BE-16001EVO	deep groove ball bearing	1
60	SJ-101EVO	bottom pedestal	1
61	WG-8EVO	lubricating nipple gasket plate	1
63	SJ-108EVO	output shaft sleeve	2
64	OS-30*19*7EVO	oil seal	2
65	CPS-5*10EVO	cross-shaped pan head screw	1
66	SJ-038EVO	worm wheel	1
67	SJ-101AEVO	upper pedestal	1
68	EP-6EVO	spring gasket	7
69	HS-6*20EVO	hexagonal bolt	6
70	HS-6*25EVO	hexagonal bolt	1
71	SJ-019EVO	Driving shaft sleeve	12
72	28-SX-11-301EVO	output shaft sleeve 28-2	2
73	30-SX-11-125EVO	Right auger	3
74	28-SX-11-300EVO	output shaft sleeve 28-1	4
75	CB-8*18EVO	half round head bolt	2
76	SX-11-132EVO	baffle plate	1
77	SJ-020EVO	shaft sleeve	2
78	FB-19*38*1.5EVO	flat gasket	2
79	SJ-024EVO	bearing cap	2
80	HS-8*10EVO	hexagonal bolt	6
81	NJ-01EVO	output shaft latch pin	6
82	NJ-02EVO	latch pin	6
83	28-SX-11-134EVO	output shaft	1
84	WK-5*7.5*19EVO	woodruff key	1
85	30-SX-11-135EVO	left auger	3
86	SX-11 (13) 70 (10) -02-01-19EVO	discharge chute rocker bracket	1
87	HFN-6EVO	hexagonal flange nut	2
88	FB-19*38*0.6EVO	flat gasket	2
89	CB-8*20EVO	half round head square neck screw	4
90	SX-11-84-3EVO	discharge chute helical tooth bar-2012	1
91	SX-11-400EVO	discharge chute rubber blanket-2012	1